



## *User Guide*

---

# ***USB Module*** ***For use with*** ***Digistart D2 and D3***

---

Part Number: 4469 en - 2017.12 / d

**General Information**

The manufacturer accepts no liability for any consequences resulting from inappropriate, negligent or incorrect installation or adjustment of the optional parameters of the equipment or from mismatching the starter with the motor.

The contents of this guide are believed to be correct at the time of printing. In the interests of commitment to a policy of continuous development and improvement, the manufacturer reserves the right to change the specification of the product or its performance, or the content of the guide without notice.

All rights reserved. No parts of this guide may be reproduced or transmitted in any form or by any means, electrical or mechanical including, photocopying, recording or by an information storage or retrieval system, without permission in writing from the publisher.

---

# Contents

---

<b>1.</b>	<b>Introduction .....</b>	<b>4</b>
<b>2.</b>	<b>Important User Information.....</b>	<b>4</b>
<b>3.</b>	<b>Installation .....</b>	<b>4</b>
3.1	Installation Procedure .....	4
3.2	Physical installation.....	4
<b>4.</b>	<b>Connection .....</b>	<b>5</b>
<b>5.</b>	<b>Configuration .....</b>	<b>6</b>
<b>6.</b>	<b>Specifications.....</b>	<b>7</b>

# 1. Introduction

The USB Module can be used in conjunction with Digistart-Soft to manage Nidec soft starters.

These instructions detail the installation, set-up and configuration of the USB Module. For details on using Digistart-Soft, refer to the Digistart-Soft help file.

**NOTE** For Digistart Soft to communicate with a soft starter via the USB Interface, Digistart Soft must be configured to use the AP ASCII or AP Binary protocols.

# 2. Important User Information

Observe all necessary safety precautions when controlling the soft starter remotely. Alert personnel that machinery may start without warning.

It is the installer's responsibility to follow all instructions in this manual and to follow correct electrical practice.

# 3. Installation



Remove mains and control voltage from the soft starter before attaching or removing accessories. Failure to do so may damage the equipment.

## 3.1 Installation Procedure

1. Remove control power and mains supply from the soft starter.
2. Attach the module to the soft starter as illustrated.
3. Apply control power to the soft starter.

## 3.2 Physical installation

1. Fully pull out the top and bottom retaining clips on the module.
2. Line up the module with the comms port slot.
3. Push in the top and bottom retaining clips to secure the module to the starter.

Figure 3-1 Attach the module to the starter

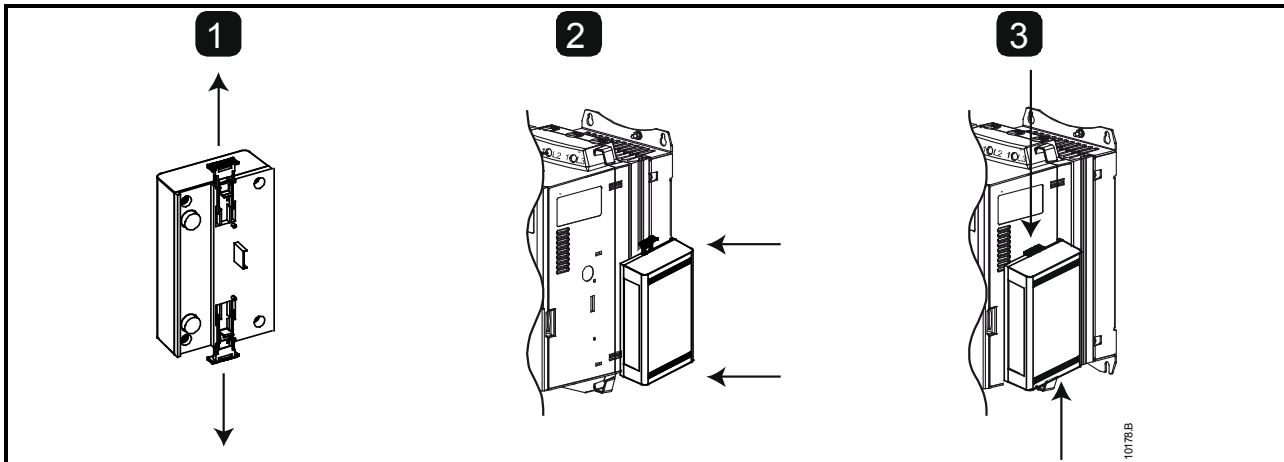
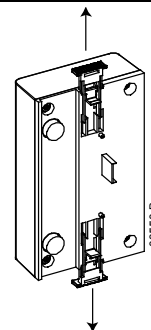


Figure 3-2 Remove the module from the starter

Remove the module using the following procedure:

1. Remove control power and mains supply from the soft starter.
2. Take the module off-line.
3. Disconnect all external wiring from the module.
4. Fully pull out the top and bottom retaining clips on the module.
5. Pull the module away from the soft starter.



## 4. Connection

Figure 4-1 USB Module connections

Digistart D2		Digistart D3	
<b>1</b>	Digistart D2 CSL, DI2: Stop input	<b>1</b>	Digistart D3 (Remote mode) DI2, +24V: Stop input DI3, +24V: Reset input
<b>2</b>	USB Module	<b>2</b>	USB Module
<b>3</b>	USB port	<b>3</b>	USB port

Digistart D2: For the USB Module to accept serial commands, a link must be fitted across terminals CSL-DI2 on the soft starter.

Digistart D3: Input links are required across the stop and reset inputs if the soft starter is being operated in Remote mode. In Local mode, links are not required.

**If the Starter Disable function is not required, change the setting of Pr 3A or connect a link across DI4, +24V.**

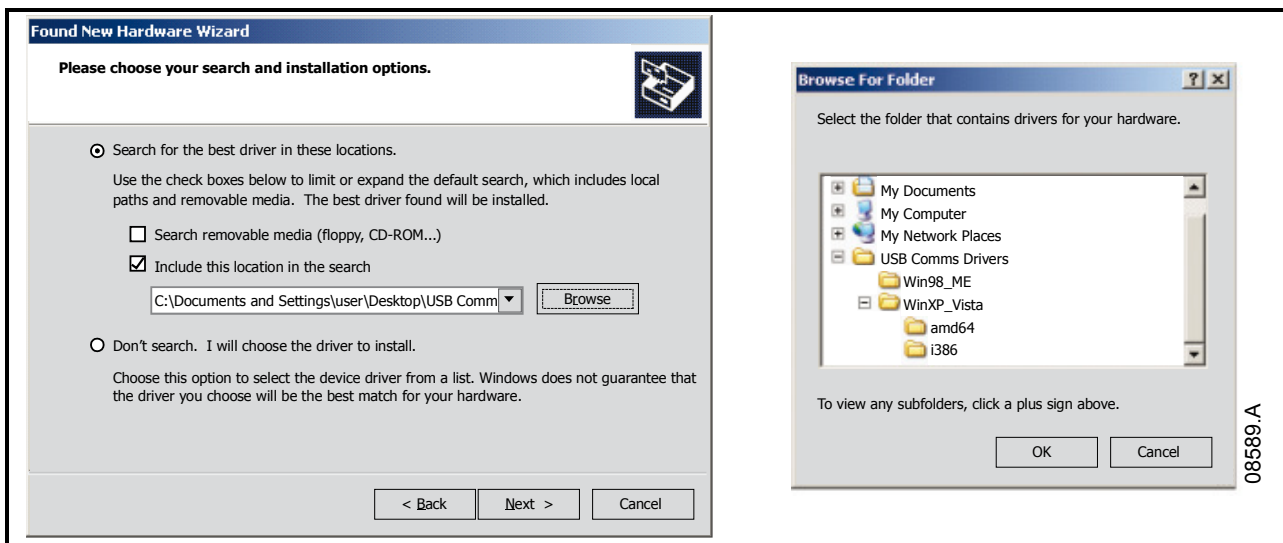
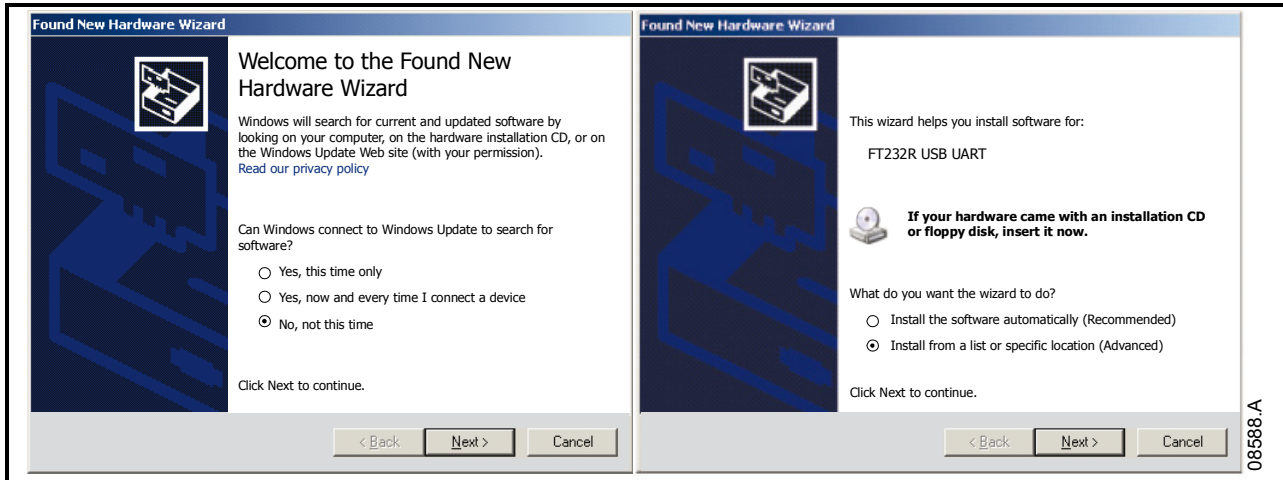
**NOTE** Digistart D3: Control via the serial communication network is always enabled in local control mode, and can be enabled or disabled in remote control mode (Pr **30 Comms in Remote**). See the soft starter user manual for parameter details.

## 5. Configuration

To bring the USB Module on-line:

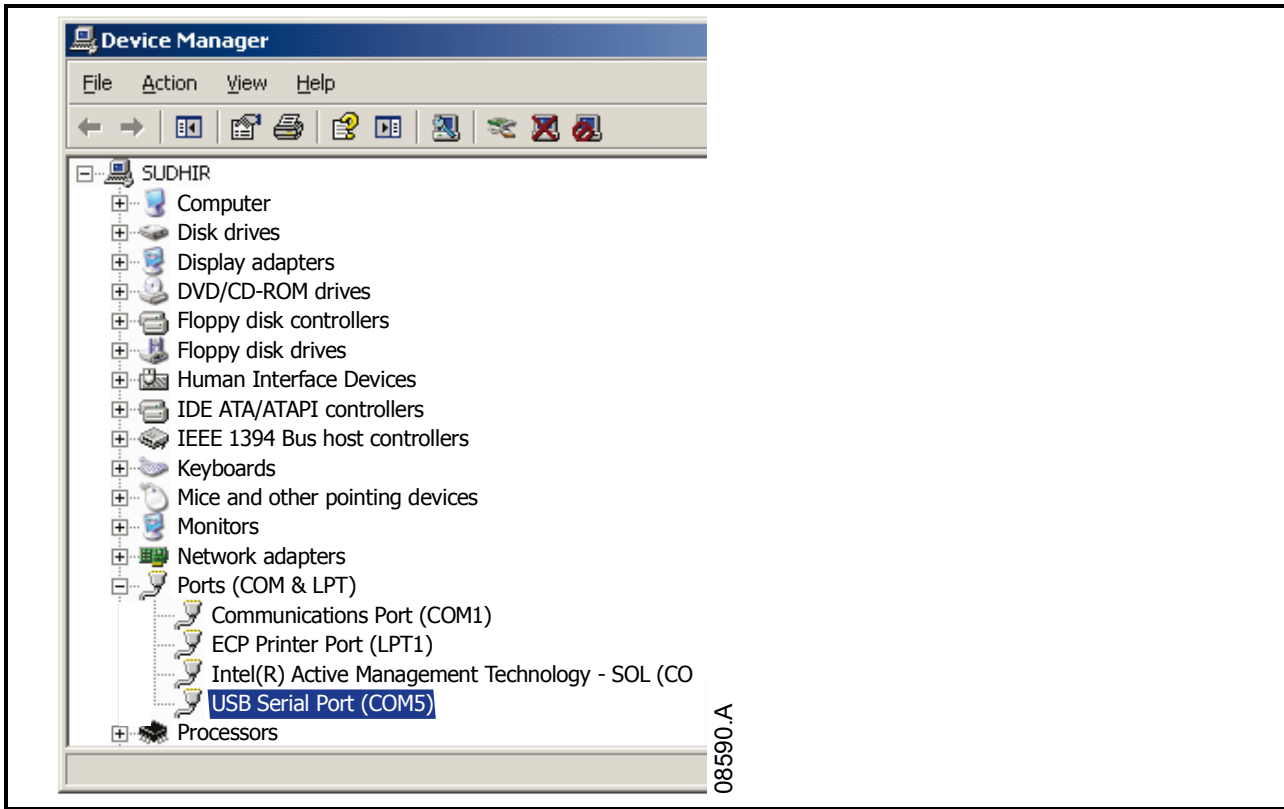
1. Remove control power and mains supply from the soft starter.
2. Attach the module to the soft starter as illustrated.
3. Connect the module to the PC via a USB cable. The PC should detect the module and the Hardware Update Wizard will open.
4. Install the USB driver to operate the module as follows.

The driver can be downloaded from [www.nidec.com](http://www.nidec.com).



Click on Ok, then Next. The software will install. If you see a prompt, click Continue Anyway. Once installation is complete, click Finish.

5. The PC will prompt you to install serial port driver software. Repeat the procedure in Step 4. You may need to restart your PC once the driver software is installed.
6. Identify the USB Serial Port assignment by checking Control panel > System > Hardware > Device Manager > Ports (COM & LPT).



**NOTE** If the USB port is not shown, disconnect then reconnect the cable. If the problem persists, restart your PC.

7. Open Digistart-Soft and change the settings as follows:  
 Protocol: Digistart D2 Series = ASCII; Digistart D3 = Binary  
 Baud rate: 9600  
 Address: 20  
 Port: Use the serial port number identified above
8. Apply control voltage to the soft starter and bring the Master on-line.

**NOTE** The starter may trip on Starter Comms while the Master is off-line. Reset the soft starter and place the Master on-line.

**NOTE** The drivers will configure the USB port that the module is connected to. You must use the same physical USB port every time you connect the module to the PC.

## 6. Specifications

### Enclosure

Dimensions ..... 40 mm (W) x 166 mm (H) x 90 mm (D)  
 Weight ..... 250 g  
 Protection ..... IP20

### Mounting

Spring-action plastic mounting clips (x 2)

### Connections

Soft starter ..... 6-way pin assembly  
 Network ..... USB-B  
 Maximum cable length ..... 3 metres (not supplied)

### Settings

Protocol ..... AP Binary or AP ASCII  
 Address ..... 20  
 Data rate (bps) ..... 9600



7 1 0 - 0 9 5 5 0 - 0 0 D