

D-Sub

Number of contacts

9-37



SMT stamped solder pins, straight with grounding pins

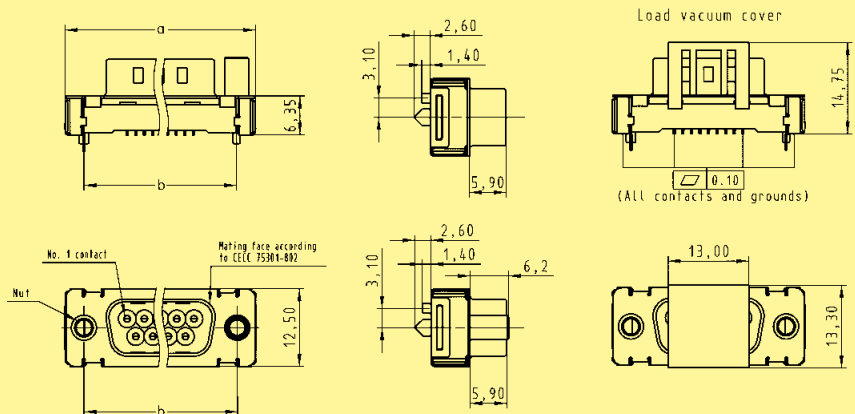
Identification

Drawing

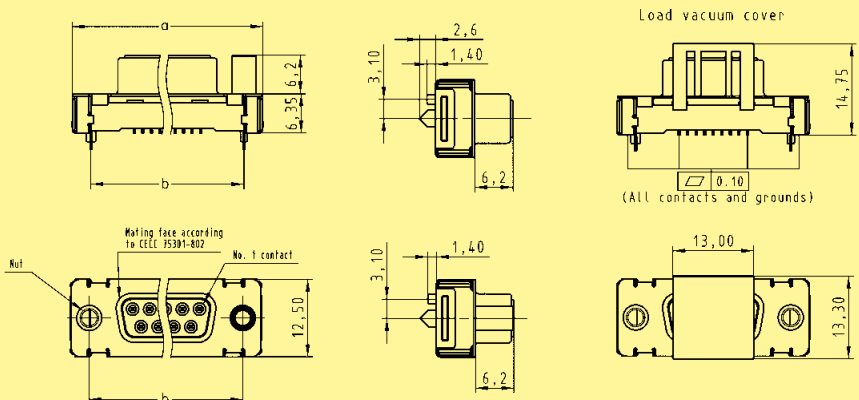
Dimensions in mm

Male connector

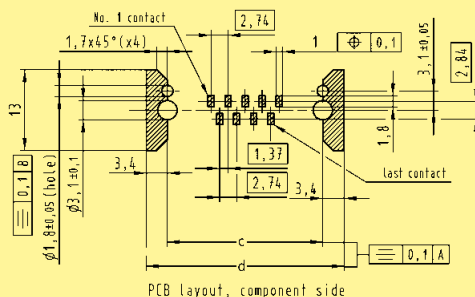
M3 or 4-40 UNC non-removable fitted screw locks M3 or 4-40 UNC



Female connector



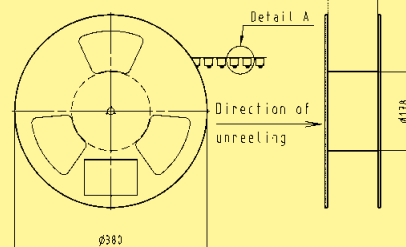
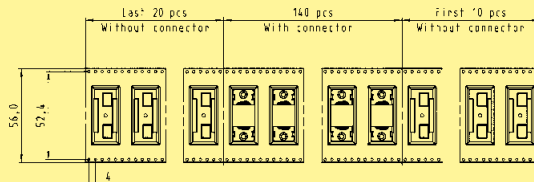
pcb layout



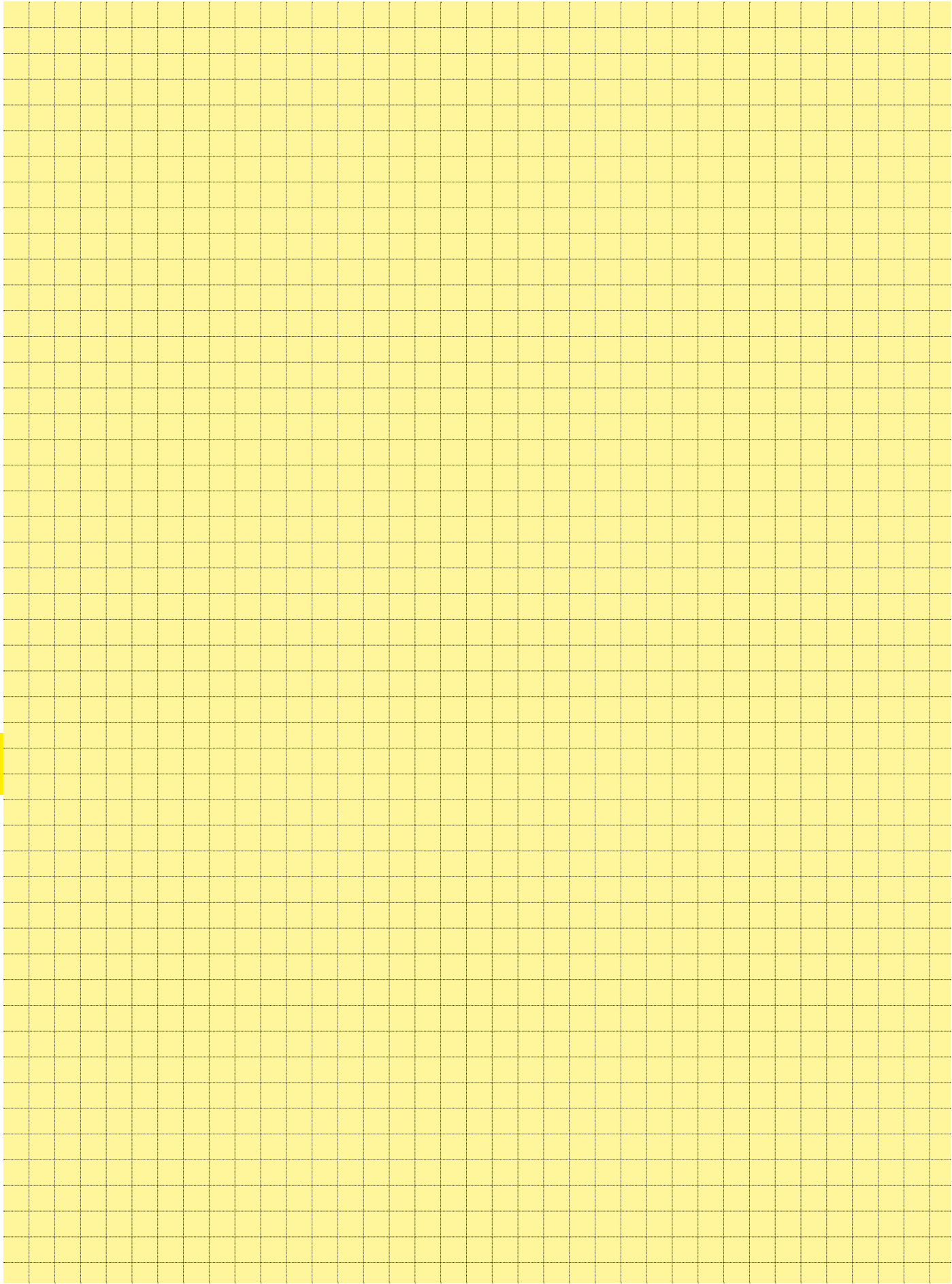
	a	b	c	d
9	31.12	25.00	25.0	31.8
15	39.45	33.33	33.3	40.1
25	53.35	47.04	47.0	53.8
37	69.62	63.50	63.5	70.3

Packaging

(1 reel = 140 pieces)
Reel diameter = 380 mm



Notes



SMT
technology