

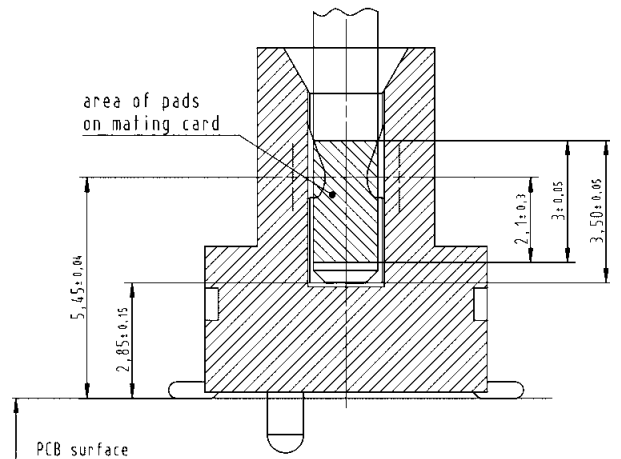
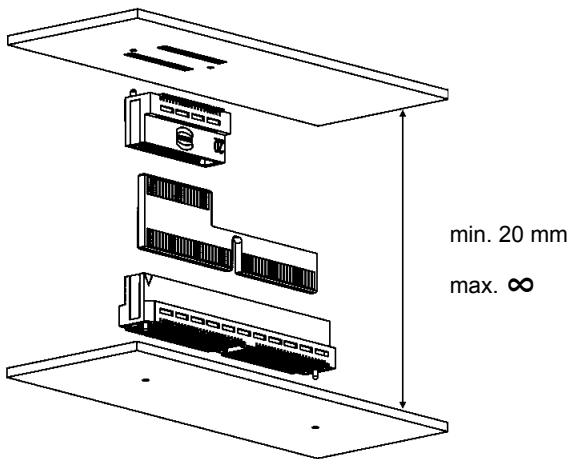
Micro Card Edge connector

Technical characteristics

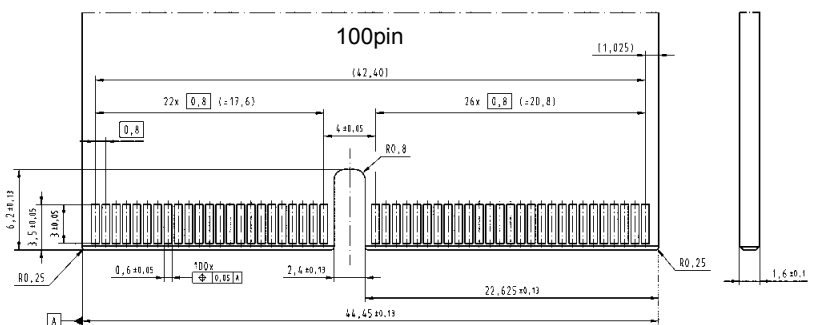
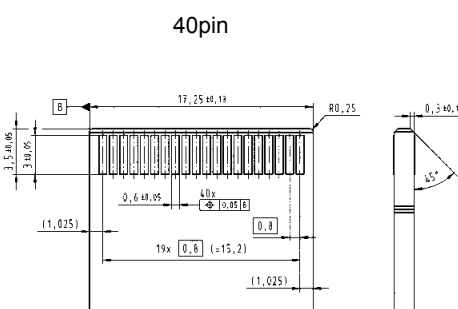


Contact spacing	: 0.8 mm
Working current	: 1.7 A at 80 °C ambient
Test voltage	: 600 V AC
Mating cycles	: 200
Number of contacts	: 40, 100
Mating card thickness	: 1.6 + 0.1 mm
Operating temperature	: -55 °C ... +125 °C
Max processing temperature	: 230 °C for 60 sec. or 260 °C for 20 sec.
ROHS-compliance	: yes
Materials	
Mouldings	: LCP, glass-fibre filled, UL 94-V0
Contacts	: Copper alloy with Ni plating
Contact surface	
Contact zone	: Pd/Ni plating with Au flash
Termination zone	: Sn/Ni plating

Board dimensions



Recommended mating card layout



MCE

Micro Card Edge connector

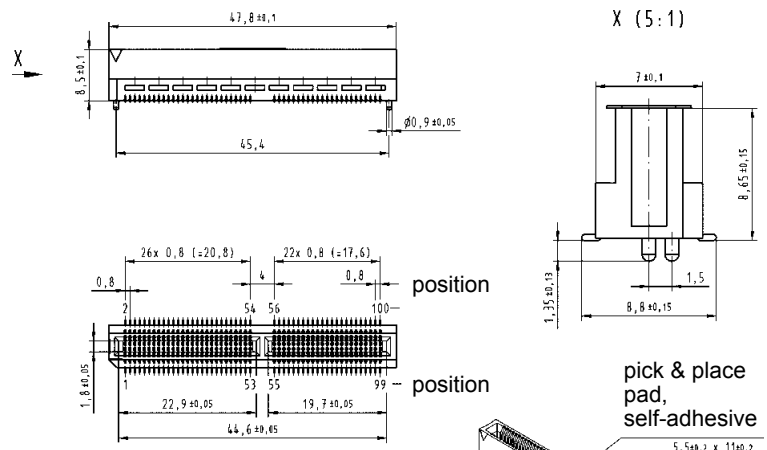


100pin connector

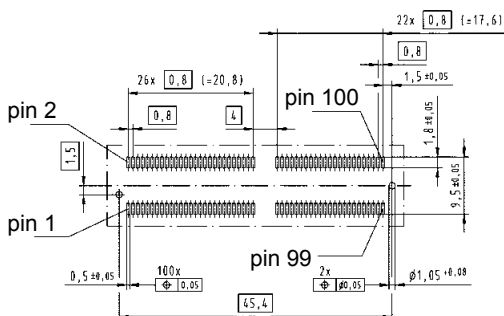
Identification	Number of contacts	Part number	Drawing	Dimensions in mm
----------------	--------------------	-------------	---------	------------------

Micro Card Edge connector
 1800 pieces in a "Tape and Reel" packaging (9 reels with 200 pcs.)
 200 pieces in a "Tape and Reel" packaging
 Single connector sample

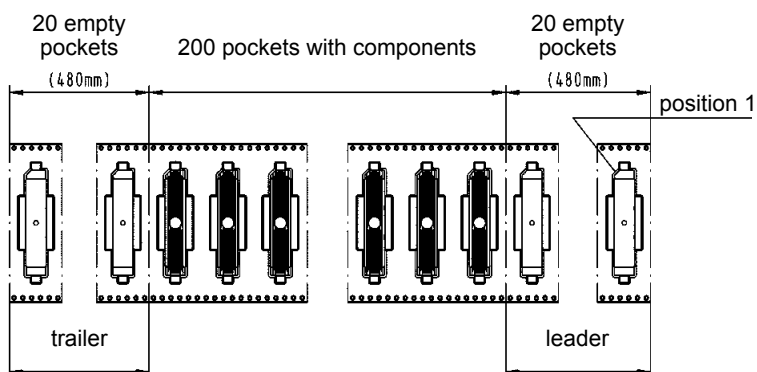
100	15 02 100 4601 040
100	15 02 100 4601 042
100	15 02 100 4601 333



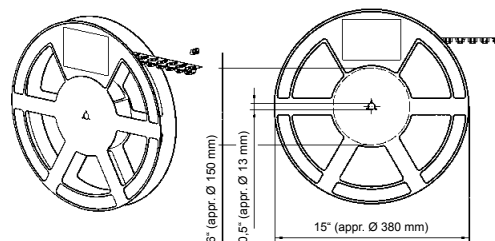
Board layout



"Tape and Reel" packaging



Reel dimensions



MCE