







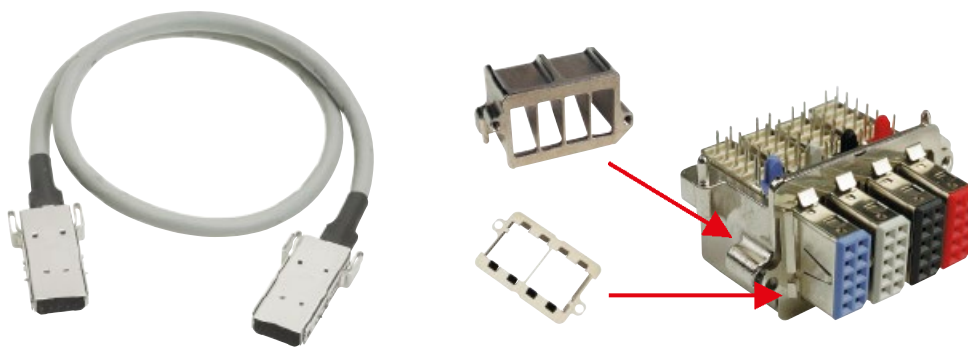








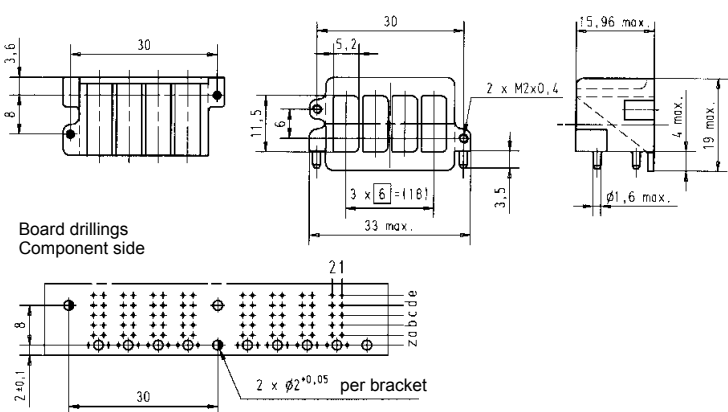
### Accessories and cable assemblies



Identification	Part number	Drawing	Dimensions in mm
----------------	-------------	---------	------------------

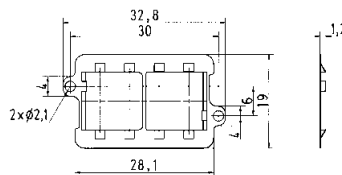
**Bracket**  
with four cavities

27 71 040 0001



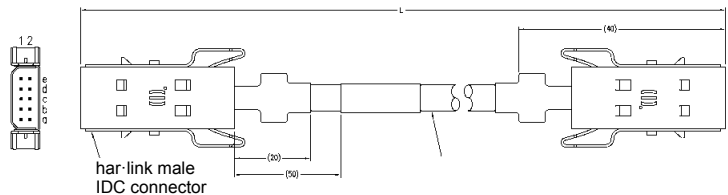
**Gasket**  
with four cavities

27 71 040 0002



**Standard har-link® cable assembly**  
Cable: 5 twisted pairs, AWG 28, shielded, PVC  
Wiring: 1:1

Length: L = 0.5 m    33 27 243 0500 001  
                           L = 1.0 m    33 27 243 1000 002  
                           L = 2.0 m    33 27 243 2000 003



**High end har-link® cable assembly**  
Cable: 5 twisted pairs, AWG 30, double shielded, PVC  
Wiring: 1:1

Length: L = 0.5 m    33 27 243 0500 006  
                           L = 1.0 m    33 27 243 1000 007  
                           L = 2.0 m    33 27 243 2000 008

Cable: 5 twisted pairs, AWG 30, double shielded, PVC  
Wiring: acc. to IEEE 1355

Length: L = 0.5 m    33 27 243 0500 015  
                           L = 1.0 m    33 27 243 1000 016  
                           L = 2.0 m    33 27 243 2000 017

IEEE 1355 wiring

Connector 1	Connector 2
2-e	1-a
1-e	2-a
2-d	1-b
1-d	2-b
2-c	2-c

Connector 1	Connector 2
1-c	1-c
2-b	1-d
1-b	2-d
2-a	1-e
1-a	2-e