

NEMA 3R Filter Fans

Protection for critical applications

- **Superior Quality**
- **Unique Features**
- **UL Type 3R**
- **Excellent Value**
- **In Stock**

Easy maintenance

- Convenient replacement of filter pad from outside

Stainless Steel available

- Powder-coated RAL7035 or stainless steel



3 voltages

- 115V, 50/60Hz
- 230V, 50/60Hz
- 24VDC

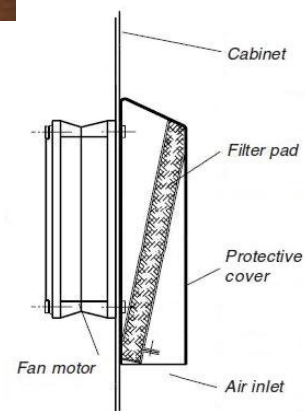
Rating

- Special foam seal
- NEMA 3R / IP 55 with pad EU4



Maximum air-flow

- Patented design with tilted filter pad to maximize air flow while restricting water entering the enclosure





hawa 3142 NEMA 3R filter fans and exhausts
Mild steel, powder-coated RAL 7035 or stainless steel 304

Mild steel – RAL 7035		Voltage	Power	Unimpeded Flow	Flow with filter pad EU4	Part Number
6 x 6	Filter Fans	115V _{AC}	15 W	105 cfm	27 cfm	3142-0148-01-17
		230V _{AC}	19 W	94 cfm	24 cfm	3142-0148-02-27
		24 V _{DC}	7.4 W	105 cfm	27 cfm	3142-0148-00-24
	Exhaust					3142-0148-00-07
	Repl. Pads (box of 10)					3140-9500-10-02
12 x 11	Filter Fans	115V _{AC}	15 W	105 cfm	50 cfm	3142-0276-01-17
		230V _{AC}	19 W	94 cfm	44 cfm	3142-0276-02-27
		24 V _{DC}	7.4 W	105 cfm	50 cfm	3142-0276-00-24
	Exhaust					3142-0276-00-07
	Repl. Pads (box of 10)					3140-9500-10-03
12 x 11	Filter Fans	115V _{AC}	28 W	229 cfm	96 cfm	3142-1276-01-17
		230V _{AC}	29 W	194 cfm	84 cfm	3142-1276-02-27
		24 V _{DC}	12 W	229 cfm	96 cfm	3142-1276-00-24
	Exhaust					3142-0276-00-07
	Repl. Pads (box of 10)					3140-9500-10-03

Stainless steel 304		Voltage	Power	Unimpeded Flow	Flow with filter pad EU4	Part Number
6 x 6	Filter Fans	115V _{AC}	15 W	105 cfm	27 cfm	3142-0148-01-15
		230V _{AC}	19 W	94 cfm	24 cfm	3142-0148-02-25
		24 V _{DC}	7.4 W	105 cfm	27 cfm	3142-0148-00-25
	Exhaust					3142-0148-00-05
	Repl. Pads (box of 10)					3140-9500-10-02
12 x 11	Filter Fans	115V _{AC}	15 W	105 cfm	50 cfm	3142-0276-01-15
		230V _{AC}	19 W	94 cfm	44 cfm	3142-0276-02-25
		24 V _{DC}	7.4 W	105 cfm	50 cfm	3142-0276-00-25
	Exhaust					3142-0276-00-05
	Repl. Pads (box of 10)					3140-9500-10-03
12 x 11	Filter Fans	115V _{AC}	28 W	229 cfm	96 cfm	3142-1276-01-15
		230V _{AC}	29 W	194 cfm	84 cfm	3142-1276-02-25
		24 V _{DC}	12 W	229 cfm	96 cfm	3142-1276-00-25
	Exhaust					3142-0276-00-05
	Repl. Pads (box of 10)					3140-9500-10-03

© Haewa Corporation 03/10 – PDS_3142