

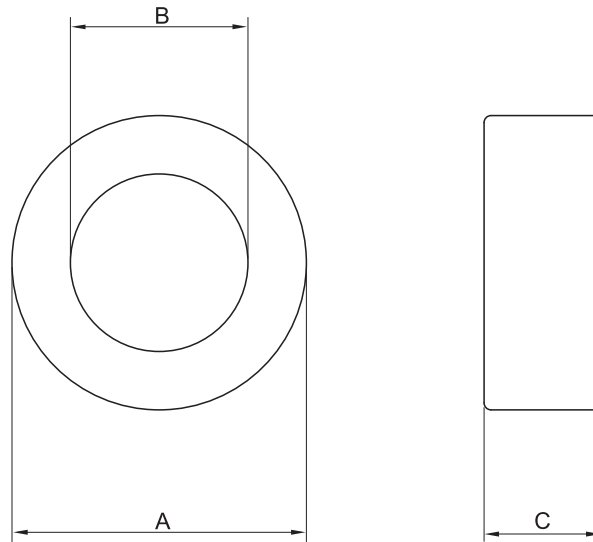
**TOROIDS**

**TECHNICAL CHARACTERISTICS**

<b>FINTR</b>	Permeability $\mu$
.3600	5000
.4900	10000
.6300	10000
.10000	5500
.140000	5500

**MECHANICAL DIMENSIONS (mm)**

<b>FINTR</b>	A	B	C
.3600	37	22	16
.4900	49	34	16
.6300	63	38	25
.10000	102	66	15
.140000	140	106	25

**CASE**

**FERRITE**
**TECHNICAL CHARACTERISTICS**

<b>FINFE</b>	Permeability $\mu$
.13	1000 $\pm$ 25%

**MECHANICAL DIMENSIONS (mm)**

<b>FINFE</b>	A	B	C	D
.13	31	32	13	33

**CASE**
