

JIC Size Junction Boxes:

Twist Latch Hinged Cover

- Solid/Opaque



PRODUCT INFORMATION

Application

- Designed to insulate and protect controls and components in both indoor and outdoor applications often found in oil refineries, waste water treatment equipment, chemical plants, and many other applications
- Especially well suited for high temperature or corrosive environments
- Protects from dirt, dust, oil, and water
- For use with industrial control equipment in ordinary locations

Standards

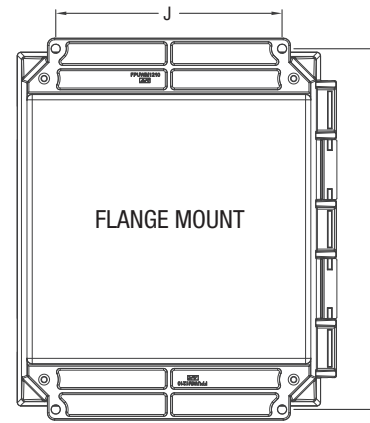
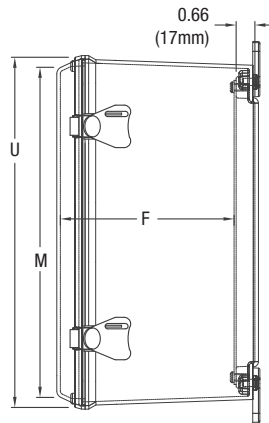
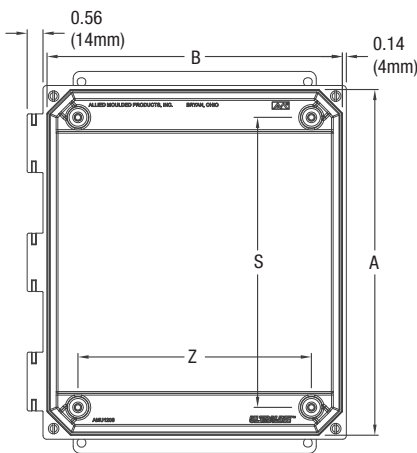
- UL 50 and UL 50E Types 1, 2, 3, 3R, 4, 4X, 12 and 13
- CSA C22.2 No. 94 Types 1, 2, 3, 3R, 4, 4X, 12 and 13
- Complies with:
 - NEMA Types 1, 2, 3, 3R, 4, 4X, 12 and 13
 - IEC 60529 Type IP66
 - RoHS directive

Construction

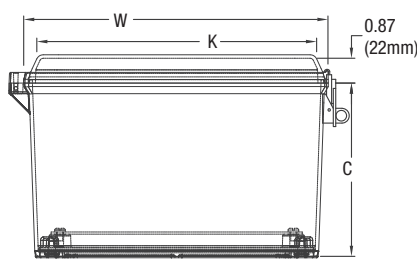
- Compression molded fiberglass reinforced polyester construction with flush, solid/ opaque cover
- Allied Moulded ULTRAGUARD® fiberglass reinforced polyester material formulation - UV stabilized for outdoor use
- Opaque cover, base, feet, flanges – Light gray color (RAL 7035)
Note: foot models mounting hardware supplied in a bag. Flanged models are pre-assembled
- 316 stainless steel twist latches feature padlock hasp
- Formed-In-Place (FIP) polyurethane gasket system encased in continuous channel
- 316 stainless steel hinge pin and foot/flange mounting hardware
- #10-32 threaded brass inserts are installed for back panel mounting

Accessories & Modifications

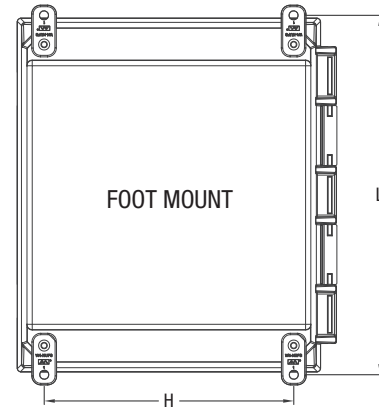
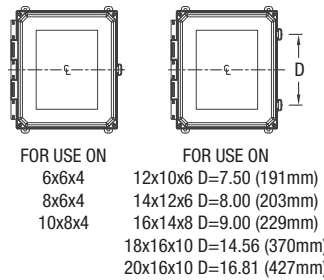
- Optional back panels and hinged front panels
- Custom holes and cutouts
- Custom size polycarbonate viewing windows
- Molded-in color matching
- EMI/RFI shielding
- Factory-supplied silk screening



Note: Cover Removed for Clarity



LATCH LOCATIONS



*Nom. Wall Thickness: .13 (3mm)
16" size: .14 (4mm)
18" & 20" sizes: .19 (5mm)

Part No.	Box Size			Usable Depth	Panel Boss Centers		Back Panel Size			Flange Mount Centers		Foot Mount Centers		Cover Size			
	A	B	C		F	S	Z	Ht.	Wid.	P/N	J	I	H	L	K	M	W
AMU664T AMU664TF	6.04	6.26	4.12	4.09	4.25	4.25	4.81	4.81	PL66 PLA66	4.00	6.88, 6.75	4.91	6.75	5.89	5.67	6.72	6.50
	153mm	159mm	105mm	103mm	108mm	108mm	122mm	122mm		102mm	175, 171mm	125mm	171mm	150mm	144mm	171mm	165mm
AMU864T AMU864TF	8.06	6.28	4.13	4.11	6.25	4.25	6.75	4.88	PL86 PLA86	4.00	8.88, 8.75	4.91	8.75	5.89	7.67	6.72	8.50
	205mm	160mm	105mm	104mm	159mm	108mm	171mm	124mm		102mm	222, 226mm	125mm	222mm	150mm	195mm	171mm	216mm
AMU1084T AMU1084TF	10.05	8.27	4.13	4.12	8.25	6.25	8.75	6.88	PL108 PLA108	6.00	10.75	6.91	10.75	7.89	9.67	8.72	10.50
	255mm	210mm	105mm	105mm	210mm	159mm	222mm	175mm		152mm	273mm	176mm	273mm	200mm	246mm	221mm	267mm
AMU1206T AMU1206TF	12.05	10.27	6.13	6.12	10.25	8.25	10.75	8.88	PL120 PLA120	8.00	12.75	8.82	12.70	9.89	11.67	10.72	12.50
	306mm	261mm	156mm	155mm	260mm	210mm	273mm	226mm		203mm	324mm	224mm	323mm	251mm	296mm	272mm	318mm
AMU1426T AMU1426TF	14.05	12.27	6.13	6.11	12.25	10.25	12.75	10.88	PL142 PLA142	10.01	14.75, 14.62	10.82	14.70	11.89	13.67	12.72	14.50
	357mm	312mm	156mm	155mm	311mm	260mm	324mm	276mm		254mm	375, 371mm	275mm	373mm	302mm	347mm	323mm	368mm
AMU1648T AMU1648TF	16.05	14.27	8.14	8.09	14.25	12.25	14.75	12.88	P164 PA164	12.00	16.75	11.47	16.91	13.89	15.67	14.72	16.50
	408mm	362mm	207mm	205mm	362mm	311mm	375mm	327mm		305mm	425mm	291mm	430mm	353mm	398mm	374mm	419mm
AMU1860T AMU1860TF	18.12	16.34	10.13	10.10	16.26	14.25	16.88	14.88	P186 PA186	12.00	18.88, 18.76	13.72	19.16	16.14	17.92	16.97	18.75
	460mm	415mm	257mm	257mm	413mm	362mm	429mm	378mm		305mm	480, 477mm	348mm	487mm	410mm	455mm	431mm	476mm
AMU2060T AMU2060TF	19.87	16.09	10.14	10.09	17.81	13.81	18.44	14.44	P206 PA206	10.00	21.28	13.16	20.53	15.89	19.67	16.72	20.50
	505mm	409mm	257mm	256mm	452mm	351mm	468mm	367mm		254mm	541mm	334mm	521mm	404mm	500mm	425mm	521mm

All dimensions are in inches unless otherwise noted

Data subject to change without notice

"I" dimensions with multiple numbers indicate slotted holes

Enclosure base part numbers come standard with 4 separately bagged feet (ex. AMU664T)

Part numbers with "F" signify factory installed flanges (ex. AMU664TF)

Additional back panels found on page 128

