

## JIC Size Junction Boxes:

### Lift-Off Screw Cover

- **Window**



## PRODUCT INFORMATION

### Application

- Designed to insulate and protect controls and components in both indoor and outdoor applications often found in oil refineries, waste water treatment equipment, chemical plants, and many other applications
- Especially well suited for high temperature or corrosive environments
- Protects from dirt, dust, oil, and water
- For use with industrial control equipment
- Clear/polycarbonate viewing window, used in applications where critical electronic equipment must be visible and protected from the elements

### Standards

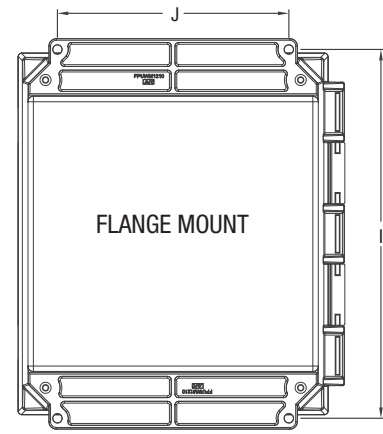
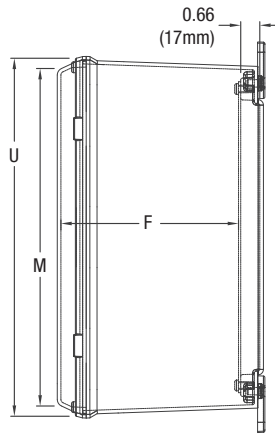
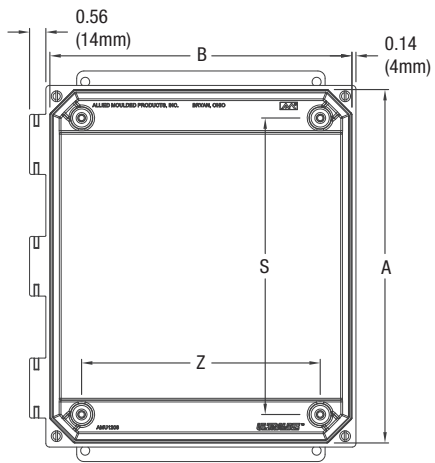
- UL 50 and UL 50E Types 1, 2, 3, 3R, 4, 4X, 12 and 13
- CSA C22.2 No. 94 Types 1, 2, 3, 3R, 4, 4X, 12 and 13
- Complies with:
  - NEMA Types 1, 2, 3, 3R, 4, 4X, 12 and 13
  - IEC 60529 Type IP66
  - RoHS directive

### Construction

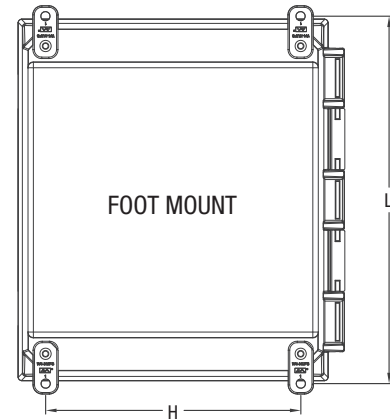
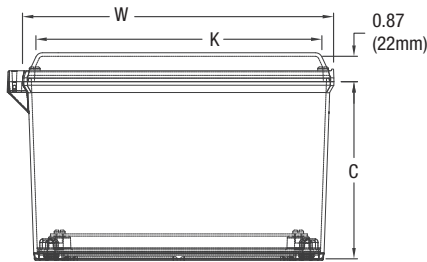
- Compression molded fiberglass reinforced polyester construction with flush, polycarbonate viewing window cover
- Allied Moulded ULTRAGUARD® fiberglass reinforced polyester material formulation - UV stabilized for outdoor use
- Opaque cover, base, feet, flanges – Light gray color (RAL 7035)  
*Note: foot models mounting hardware supplied in a bag. Flanged models are pre-assembled*
- 316 stainless steel captive cover screws
- Formed-In-Place (FIP) polyurethane gasket system encased in continuous channel
- 316 stainless steel foot/flange mounting hardware
- #10-32 threaded brass inserts are installed for back panel mounting

### Accessories & Modifications

- Optional back panels and hinged front panels
- Custom holes and cutouts
- Molded-in color matching
- EMI/RFI shielding
- Factory-supplied silk screening



Note: Cover Removed for Clarity



\*Nom. Wall Thickness: .13 (3mm)  
 16" size: .14 (4mm)  
 18" & 20" sizes: .19 (5mm)

Part No.	Box Size			Usable Depth	Panel Boss Centers			Back Panel Size			Flange Mount Centers		Foot Mount Centers		Cover Size				Window Dim. (H x W)
	A	B	C		F	S	Z	Ht.	Wid.	P/N	J	I	H	L	K	M	W	U	
AMU664W	6.04	6.26	4.13	3.99	4.25	4.25	4.81	4.81	PL66 PLA66	4.00	6.88, 6.75	4.91	6.75	5.89	5.67	6.72	6.50	3.50 x 3.50	
AMU664WF	153mm	159mm	105mm	101mm	108mm	108mm	122mm	122mm		102mm	175, 171mm	125mm	171mm	150mm	144mm	171mm	165mm	89mm x 89mm	
AMU864W	8.06	6.28	4.13	4.00	6.25	4.25	6.75	4.88	PL86 PLA86	4.00	8.88, 8.75	4.91	8.75	5.89	7.67	6.72	8.50	5.25 x 4.00	
AMU864WF	205mm	160mm	105mm	102mm	159mm	108mm	171mm	124mm		102mm	222, 226mm	125mm	222mm	150mm	144mm	171mm	216mm	133mm x 102mm	
AMU1084W	10.05	8.27	4.13	4.00	8.25	6.25	8.75	6.88	PL108 PLA108	6.00	10.75	6.91	10.75	7.89	9.67	8.72	10.50	6.25 x 4.25	
AMU1084WF	255mm	210mm	105mm	102mm	210mm	159mm	222mm	175mm		152mm	273mm	176mm	273mm	200mm	246mm	221mm	267mm	159mm x 108mm	
AMU1206W	12.05	10.27	6.13	6.00	10.25	8.25	10.75	8.88	PL120 PLA120	8.00	12.75	8.82	12.70	9.89	11.67	10.72	12.50	8.38 x 6.50	
AMU1206WF	306mm	261mm	156mm	153mm	260mm	210mm	273mm	228mm		203mm	324mm	224mm	323mm	251mm	296mm	272mm	318mm	213mm x 165mm	
AMU1426W	14.05	12.27	6.13	6.00	12.25	10.25	12.75	10.88	PL142 PLA142	10.01	14.75, 14.62	10.82	14.70	11.89	13.67	12.72	14.50	10.38 x 8.51	
AMU1426WF	357mm	312mm	156mm	152mm	311mm	260mm	324mm	276mm		254mm	375, 371mm	275mm	373mm	302mm	347mm	323mm	368mm	264mm x 216mm	
AMU1648W	16.05	14.27	8.14	7.99	14.25	12.25	14.75	12.88	P164 PA164	12.00	16.75	11.47	16.91	13.89	15.67	14.72	16.50	12.38 x 10.50	
AMU1648WF	408mm	362mm	207mm	203mm	362mm	311mm	375mm	327mm		305mm	425mm	291mm	430mm	353mm	398mm	374mm	419mm	314mm x 267mm	
AMU1860W	18.12	16.34	10.13	10.00	16.26	14.26	16.88	14.88	P186 PA186	12.00	18.88, 18.76	13.72	19.16	16.14	17.92	16.97	18.75	13.00 x 11.00	
AMU1860WF	460mm	415mm	257mm	254mm	413mm	362mm	429mm	378mm		305mm	480, 477mm	348mm	487mm	410mm	455mm	431mm	476mm	330mm x 267mm	
AMU2060W	19.87	16.09	10.14	9.99	17.81	13.81	18.44	14.44	P206 PA206	10.00	21.28	13.16	20.53	15.89	19.67	16.72	20.50	14.00 x 12.00	
AMU2060WF	505mm	409mm	257mm	254mm	452mm	351mm	468mm	367mm		254mm	540mm	334mm	521mm	404mm	500mm	425mm	521mm	356mm x 305mm	

All dimensions are in inches unless otherwise noted

"I" dimensions with multiple numbers indicate slotted holes

Enclosure base part numbers come standard with 4 separately bagged feet (ex. AMU664W)

Part numbers with "F" signify factory installed flanges (ex. AMU664WF)

Additional back panels found on page 128

Data subject to change without notice

