

## JIC Size Junction Boxes: Nonmetal Snap Latch Hinged Cover

- **Clear Polycarbonate**



### PRODUCT INFORMATION

#### Application

- Designed to insulate and protect controls and components in both indoor and outdoor applications often found in industrial control panels, pump controls/waste water treatment, irrigation/water control, solar/wind, and chemical plants
- Light weight, impact resistant and good corrosion resistance for many industrial enclosure applications and a great alternative to metallic enclosures
- Protects from dirt, dust, and water

#### Standards

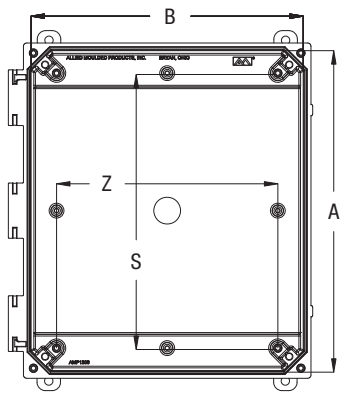
- UL 50 and UL 50E Types 1, 2, 3, 3R, 4, 4X, 12 and 13
- CSA C22.2 No. 94 Types 1, 2, 3, 3R, 4, 4X, 12 and 13
- Complies with:
  - NEMA Types 1, 2, 3, 3R, 4, 4X, 12 and 13
  - IEC 60529 Type IP66
  - RoHS directive

#### Construction

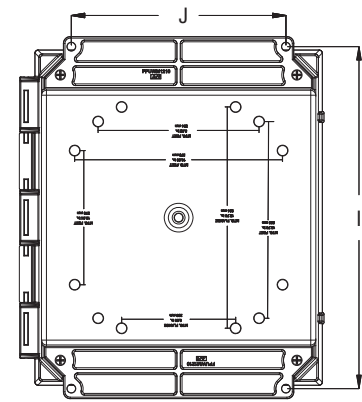
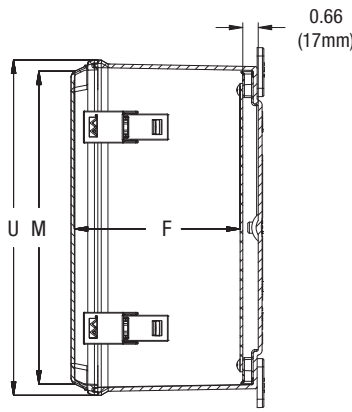
- Injection molded polycarbonate thermoplastic construction with flush, clear polycarbonate cover
- Opaque cover, base, padlockable snap latches, feet, flanges – Light gray color (RAL 7035)  
*Note: foot models mounting hardware supplied in a bag. Flanged models are pre-assembled*
- Polycarbonate snap latches feature padlock hasp (AMP1082 not available)
- Formed-In-Place (FIP) polyurethane gasket system encased in continuous channel
- 316 stainless steel foot/flange mounting hardware
- 316 stainless steel hinge pin (6" – 14" sizes)
- Polycarbonate hinge clips (16" & 18" sizes)
- #10-32 threaded brass inserts are installed for optional back panel mounting

#### Accessories & Modifications

- Optional back panels and hinged front panels
- Custom holes and cutouts
- EMI/RFI shielding
- Optional foot/flange mounting hardware
- Additional molded-in mounting bosses available for directly mounting DIN rails
- Factory-supplied silk screening

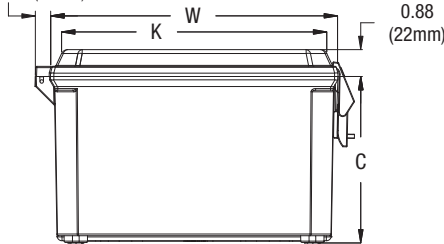


NOTE: COVER REMOVED FOR CLARITY



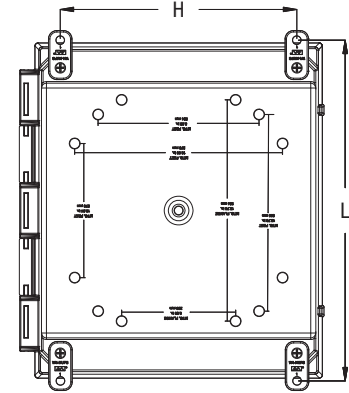
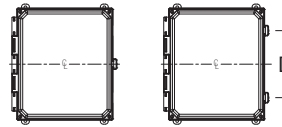
FLANGE MOUNT

- 6 x 6 x 4 - 14 x 12 x 6 0.56 (14mm)
- 16 x 14 x 8 .36 (9mm)
- 18 x 16 x 10 .46 (12mm)



LATCH LOCATIONS

- |              |                              |
|--------------|------------------------------|
| FOR USE ON   | FOR USE ON                   |
| 6 x 6 x 4    | 12 x 10 x 4,6 D=7.50 (191mm) |
| 8 x 6 x 4    | 14 x 12 x 6 D=8.00 (203mm)   |
| 8 x 8 x 4    | 16 x 14 x 8 D=10.5 (267mm)   |
| 10 x 8 x 4,6 | 18 x 16 x 10 D=12.5 (318mm)  |



FOOT MOUNT

\*Nom. Wall Thickness: .14 (4mm)  
14" thru 18" sizes: .19 (5mm)

Part No.	Box Size			Usable Depth	Panel Boss Centers		Back Panel Size			Flange Mount Centers		Foot Mount Centers		Cover Size			
	A	B	C		F	S	Z	Ht.	Wid.	P/N	J	I	H	L	K	M	W
AMP664CCNL	6.03	6.26	4.08	4.06	4.25	4.25	4.81	4.81	PL66	4.00	6.88, 6.75	4.91	6.75	5.89	5.67	6.72	6.50
AMP664CCNLF	153mm	159mm	104mm	103mm	108mm	108mm	122mm	122mm	PLA66	102mm	175, 171mm	125mm	171mm	150mm	144mm	171mm	165mm
AMP864CCNL	7.94	6.16	4.08	4.06	6.25	4.25	6.75	4.88	PL86	4.00	8.88, 8.75	4.91	8.75	5.89	7.67	6.72	8.50
AMP864CCNLF	202mm	156mm	104mm	103mm	159mm	108mm	171mm	124mm	PLA86	102mm	226, 222mm	125mm	222mm	150mm	195mm	171mm	216mm
AMP884CCNL	7.94	8.16	4.08	4.06	6.25	6.25	6.75	6.88	PL88	6.00	8.75	6.91	8.75	7.89	7.67	8.72	8.50
AMP884CCNLF	202mm	207mm	104mm	103mm	159mm	159mm	171mm	175mm	PLA88	152mm	222mm	175mm	222mm	200mm	195mm	221mm	216mm
AMP1084CCNL	9.93	8.15	4.08	4.06	8.25	6.25	8.75	6.88	PL108	6.00	10.75	6.91	10.75	7.89	9.67	8.72	10.50
AMP1084CCNLF	252mm	207mm	104mm	103mm	210mm	159mm	222mm	175mm	PLA108	152mm	273mm	175mm	273mm	200mm	246mm	221mm	267mm
★AMP1086CCNL	9.93	8.15	5.98	6.18	8.25	6.25	8.75	6.88	PL108	6.00	10.75	6.91	10.75	7.89	9.67	8.72	10.50
AMP1086CCNLF	252mm	207mm	152mm	157mm	210mm	159mm	222mm	175mm	PLA108	152mm	273mm	175mm	273mm	200mm	246mm	221mm	267mm
AMP1204CCNL	11.93	10.15	4.08	4.16	10.25	8.25	10.75	8.88	PL120	8.00	12.75	8.82	12.70	9.89	11.67	10.72	12.50
AMP1204CCNLF	303mm	258mm	104mm	106mm	260mm	210mm	273mm	225mm	PLA120	203mm	324mm	224mm	323mm	251mm	296mm	272mm	318mm
AMP1206CCNL	11.93	10.15	6.08	6.06	10.25	8.25	10.75	8.88	PL120	8.00	12.75	8.82	12.70	9.89	11.67	10.72	12.50
AMP1206CCNLF	303mm	258mm	154mm	154mm	260mm	210mm	273mm	225mm	PLA120	203mm	324mm	224mm	323mm	251mm	296mm	272mm	318mm
AMP1426CCNL	13.85	12.07	6.13	5.99	12.25	10.25	12.75	10.88	PL142	10.01	14.75, 14.62	10.82	14.70	11.89	13.67	12.72	14.50
AMP1426CCNLF	352mm	307mm	156mm	152mm	311mm	260mm	324mm	276mm	PLA142	254mm	375, 371mm	275mm	373mm	302mm	347mm	323mm	368mm
AMP1648CCNL	15.98	13.98	8.00	8.27	14.25	12.25	14.75	12.88	P164	12.00	17.75	11.47	17.91	13.68	15.63	15.04	17.23
AMP1648CCNLF	406mm	355mm	203mm	210mm	362mm	311mm	375mm	327mm	PA164	305mm	451mm	291mm	455mm	347mm	397mm	382mm	438mm
AMP1860CCNL	18.04	16.04	10.00	10.27	16.22	14.25	16.88	14.88	P186	12.00	19.63, 19.51	13.72	19.91	15.68	17.68	17.10	19.28
AMP1860CCNLF	458mm	407mm	254mm	261mm	412mm	362mm	429mm	378mm	PA186	305mm	499, 496mm	349mm	506mm	398mm	454mm	434mm	490mm

All dimensions are in inches unless otherwise noted  
"I" dimensions with multiple numbers indicate slotted holes

Data subject to change without notice

Enclosure base part numbers come standard with 4 separately bagged feet (ex. AMP664CCNL)

Part numbers with "F" signify factory installed flanges (ex. AMP664CCNLF)

Back panel specifications found on page 130

★ Coming Q4 - 2016

