

## JIC Size Junction Boxes:

### Lift-Off Screw Cover

- **Clear Polycarbonate**



## PRODUCT INFORMATION

### Application

- Designed to insulate and protect controls and components in both indoor and outdoor applications often found in industrial control panels, pump controls/waste water treatment, irrigation/water control, solar/wind, and chemical plants
- Light weight, impact resistant and good corrosion resistance for many industrial enclosure applications and a great alternative to metallic enclosures
- Protects from dirt, dust, and water

### Standards

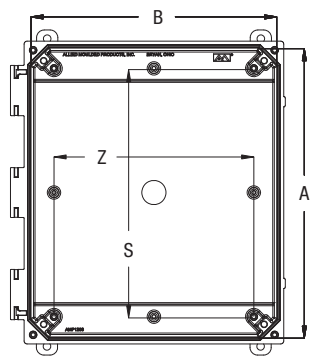
- UL 50 and UL 50E Types 1, 2, 3, 3R, 4, 4X, (6P for sizes 6" x 6" up through 14" x 12"), 12 and 13
- CSA C22.2 No. 94 Types 1, 2, 3, 3R, 4, 4X, (6P for sizes 6"x 6" up through 14"x 12"), 12 and 13
- Complies with:
  - NEMA Types 1, 2, 3, 3R, 4, 4X, (6P for sizes 6" x 6" up through 14" x 12"), 12 and 13
  - IEC 60529 Type IP68 submersible up to 24 hours at a depth of 6 feet (1.8 meters)
  - RoHS directive

### Construction

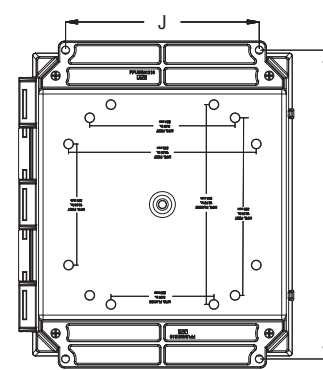
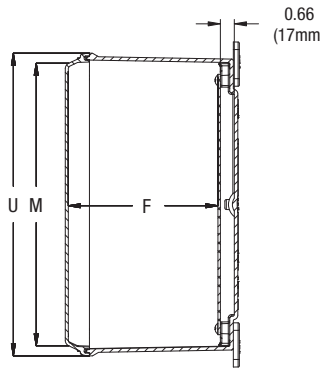
- Injection molded polycarbonate thermoplastic construction with flush, clear polycarbonate cover
- Enclosure base, feet, flanges – Light gray color (RAL 7035)  
*Note: foot models mounting hardware supplied in a bag. Flanged models are pre-assembled*
- 316 stainless steel captive cover screws
- Formed-In-Place (FIP) polyurethane gasket system encased in continuous channel
- 316 stainless steel foot/flange mounting hardware
- Polycarbonate hinge clips (16" & 18" sizes)
- #10-32 threaded brass inserts are installed for optional back panel mounting

### Accessories & Modifications

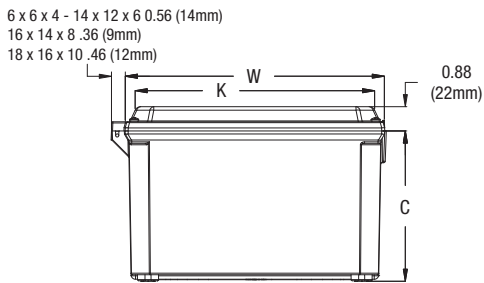
- Optional back panels and hinged front panels
- Custom holes and cutouts
- EMI/RFI shielding
- Optional foot/flange mounting hardware
- Additional molded-in mounting bosses available for directly mounting DIN rails
- Factory-supplied silk screening



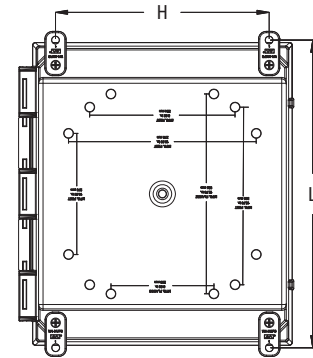
NOTE: COVER REMOVED FOR CLARITY



FLANGE MOUNT



\*Nom. Wall Thickness: .14 (4mm)  
14" thru 18" sizes: .19 (5mm)



FOOT MOUNT

Part No.	Box Size			Usable Depth	Panel Boss Centers			Back Panel Size			Flange Mount Centers		Foot Mount Centers		Cover Size			
	A	B	C		F	S	Z	Ht.	Wid.	P/N	J	I	H	L	K	M	W	U
AMP664CC AMP664CCF	6.03 153mm	6.26 159mm	4.08 104mm	4.06 103mm	4.25 108mm	4.25 108mm	4.81 122mm	4.81 122mm	PL66 PLA66	4.00 102mm	6.88, 6.75 175, 171mm	4.91 125mm	6.75 171mm	5.89 150mm	5.67 144mm	6.72 171mm	6.50 165mm	
AMP864CC AMP864CCF	7.94 202mm	6.16 156mm	4.08 104mm	4.06 103mm	6.25 159mm	4.25 108mm	6.75 171mm	4.88 124mm	PL86 PLA86	4.00 102mm	8.88, 8.75 226, 222mm	4.91 125mm	8.75 222mm	5.89 150mm	7.67 195mm	6.72 171mm	8.50 216mm	
AMP884CC AMP884CCF	7.94 202mm	8.16 207mm	4.08 104mm	4.06 103mm	6.25 159mm	6.25 159mm	6.75 171mm	6.88 175mm	PL88 PLA88	6.00 152mm	8.75 222mm	6.91 175mm	8.75 222mm	7.89 200mm	7.67 195mm	8.72 221mm	8.50 216mm	
AMP1082CC AMP1082CCF	9.93 252mm	8.15 207mm	2.70 69mm	2.68 68mm	8.25 210mm	6.25 159mm	8.75 222mm	6.88 175mm	PL108 PLA108	6.00 152mm	10.75 273mm	6.91 175mm	10.75 273mm	7.89 200mm	9.67 246mm	8.72 221mm	10.50 267mm	
AMP1084CC AMP1084CCF	9.93 252mm	8.15 207mm	4.08 104mm	4.06 103mm	8.25 210mm	6.25 159mm	8.75 222mm	6.88 175mm	PL108 PLA108	6.00 152mm	10.75 273mm	6.91 175mm	10.75 273mm	7.89 200mm	9.67 246mm	8.72 221mm	10.50 267mm	
★AMP1086CC AMP1086CCF	9.93 252mm	8.15 207mm	5.98 152mm	6.18 157mm	8.25 210mm	6.25 159mm	8.75 222mm	6.88 175mm	PL108 PLA108	6.00 152mm	10.75 273mm	6.91 175mm	10.75 273mm	7.89 200mm	9.67 246mm	8.72 221mm	10.50 267mm	
AMP1204CC AMP1204CCF	11.93 303mm	10.15 258mm	4.08 104mm	4.16 106mm	10.25 260mm	8.25 210mm	10.75 273mm	8.88 225mm	PL120 PLA120	8.00 203mm	12.75 324mm	8.82 224mm	12.70 323mm	9.89 251mm	11.67 296mm	10.72 272mm	12.50 318mm	
AMP1206CC AMP1206CCF	11.93 303mm	10.15 258mm	6.08 154mm	6.06 154mm	10.25 260mm	8.25 210mm	10.75 273mm	8.88 225mm	PL120 PLA120	8.00 203mm	12.75 324mm	8.82 224mm	12.70 323mm	9.89 251mm	11.67 296mm	10.72 272mm	12.50 318mm	
AMP1426CC AMP1426CCF	13.85 352mm	12.07 307mm	6.13 156mm	5.99 152mm	12.25 311mm	10.25 260mm	12.75 324mm	10.88 276mm	PL142 PLA142	10.01 254mm	14.75, 14.62 375, 371mm	10.82 275mm	14.70 373mm	11.89 302mm	13.67 347mm	12.72 323mm	14.50 368mm	
AMP1648CC AMP1648CCF	15.98 406mm	13.98 355mm	8.00 203mm	8.27 210mm	14.25 362mm	12.25 311mm	14.75 375mm	12.88 327mm	P164 PA164	12.00 305mm	17.75 451mm	11.47 291mm	17.91 455mm	13.68 347mm	15.63 397mm	15.04 382mm	17.23 438mm	
AMP1860CC AMP1860CCF	18.04 458mm	16.04 407mm	10.00 254mm	10.27 261mm	16.22 412mm	14.25 362mm	16.88 429mm	14.88 378mm	P186 PA186	12.00 305mm	19.63, 19.51 498, 496mm	13.72 349mm	19.91 506mm	15.68 398mm	17.68 454mm	17.10 434mm	19.28 490mm	

All dimensions are in inches unless otherwise noted

Data subject to change without notice

"I" dimensions with multiple numbers indicate slotted holes

All sizes 6" x 6" x 4" up through 14" x 12" x 6" are rated 6P (IP68)

Enclosure base part numbers come standard with 4 separately bagged feet (ex. AMP664CC)

Part numbers with "F" signify factory installed flanges (ex. AMP664CCF)

Back panel specifications found on page 130

★Coming Q4 - 2016

