

EMPIRE Enclosures: Free Standing Single Door

- **Solid/Opaque**



PRODUCT INFORMATION

Application

- Designed to insulate and house electrical and electronic controls, instruments or components for indoor and outdoor applications
- Especially well suited for high temperature or corrosive environments
- Protects from dirt, dust, oil and water

Standards

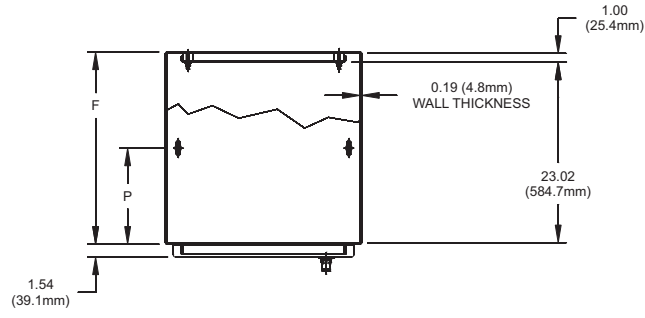
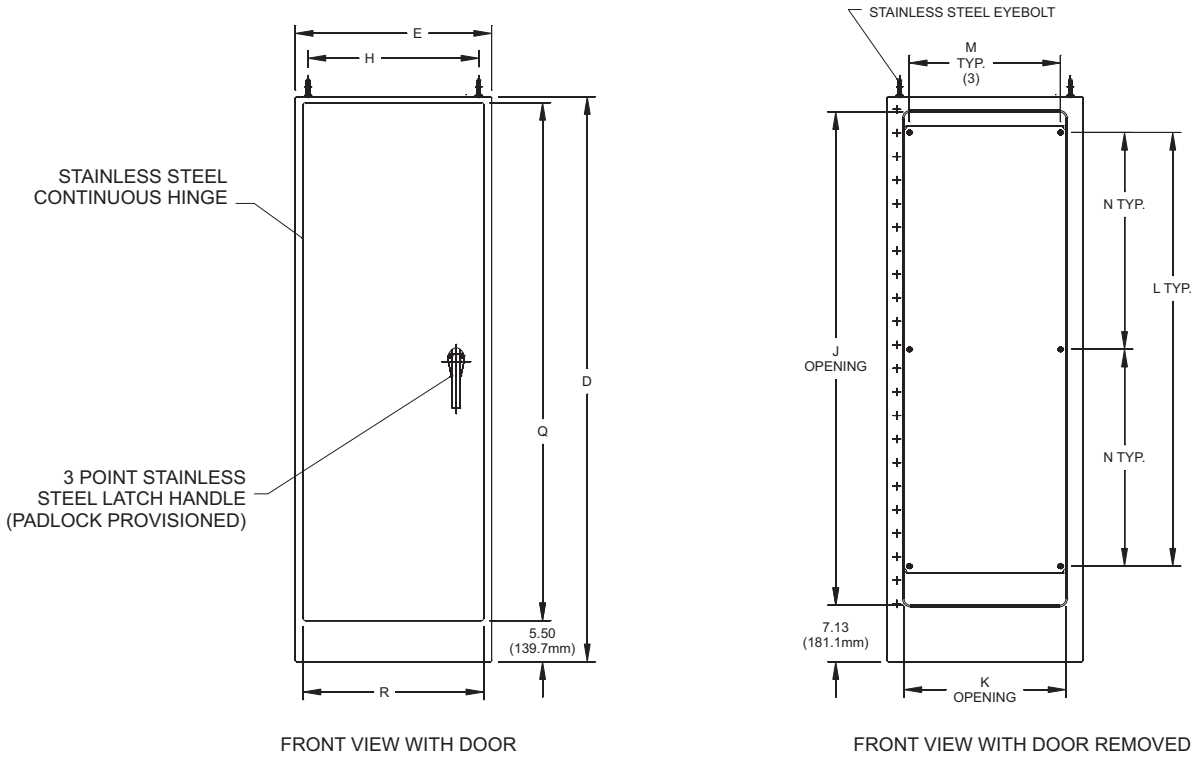
- UL 50 and UL 50E Types 1, 4, and 4X
- CSA C22.2 No. 94 Types 1, 4, and 4X
- Complies with:
 - NEMA Types 1, 4, and 4X
 - IEC 60529 Type IP66
 - RoHS directive

Construction

- Durable, corrosion resistant gel-coat fiberglass material construction
- Resin Transfer Molded (RTM) doors and hand-layup box construction
- Soft, self-gripping EPDM gasket compresses over flange for tight seal
- One 316 stainless steel 3-point latching handle with padlocking provision
- Heavy-duty continuous 316 stainless steel hinge
- Fiberglass material has UV inhibitors which provide ideal protection from outdoor weathering
- Heavy duty lifting eye bolts

Accessories & Modifications

- Optional painted carbon steel back panels
- Custom size polycarbonate viewing windows
- HMI cover kits
- Inspection windows
- Optional print pocket



Optional Carbon Steel Back Panel		
Part No.	Height	Width
P7225CS	57.00	21.00
	1448mm	533mm

Part No.	D	E	F	H	J	K	L	M	N	P	Q	R	# Panel Mount Studs
AM722525FS	72.00	25.00	24.50	21.75	62.88	20.63	55.25	19.25	27.63	12.25	66.00	23.00	6
	1829mm	635mm	622mm	552mm	1597mm	524mm	1403mm	489mm	702mm	311mm	1676mm	584mm	

All dimensions are in inches unless otherwise noted

Data subject to change without notice