

Control Series: Snap Latch Hinged Cover

- **Solid/Opaque**



PRODUCT INFORMATION

Application

- Designed to insulate and house electrical and electronic controls, instruments or components for indoor and outdoor applications
- Especially well suited for high temperature or corrosive environments
- Protects from dirt, dust, oil, and water

Standards

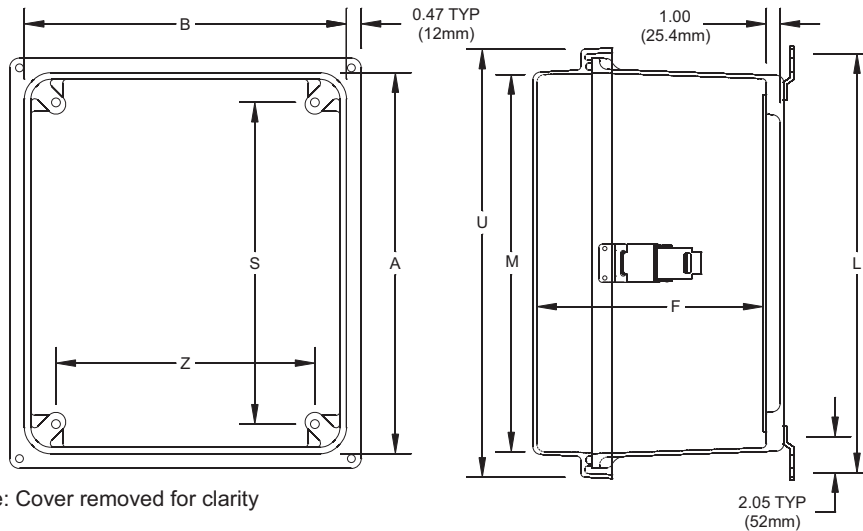
- UL 50 and UL 50E Types 1, 2, 3, 3R, 4, 4X, 12 and 13
- CSA C22.2 No. 94 Types 1, 2, 3, 3R, 4, 4X, 12 and 13
- Complies with:
 - NEMA Types 1, 2, 3, 3R, 4, 4X, 12 and 13
 - IEC 60529 Type IP66
 - RoHS directive

Construction

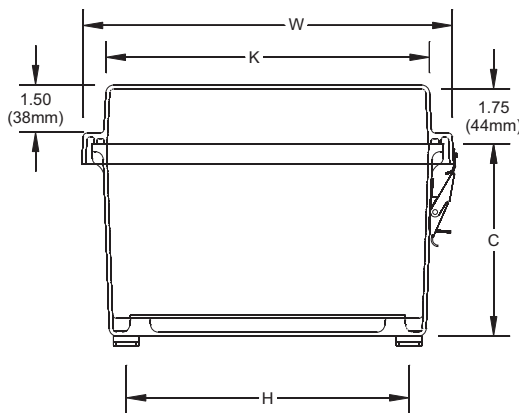
- Strong, molded ULTRAGUARD® fiberglass reinforced polyester material construction with matching raised cover
- Light gray color (RAL 7035)
- 316 stainless steel snap latches with padlock hasp
- (2) 316 stainless steel hinges
- Formed-In-Place (FIP) polyurethane gasket system encased in continuous channel
- 316 stainless steel wall mounting feet with 3/8-16 stainless steel screws included
- 3/8-16 threaded brass inserts are installed for back panel mounting
- UV stabilized for outdoor use

Accessories & Modifications

- Optional back panels and hinged front panels
- Custom holes and cutouts
- Custom size polycarbonate viewing windows
- Molded-in color matching
- EMI/RFI shielding
- Factory-supplied silk screening



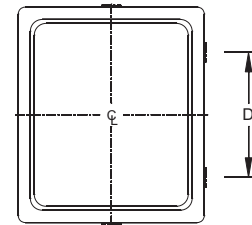
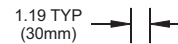
Note: Cover removed for clarity



Nominal 1/8" (3mm) wall thickness

LATCH LOCATIONS

- For use on:
- 24x20x8 D=15.00 (406mm)
 - 24x24x8 D=15.00 (406mm)
 - 30x24x8 D=19.98 (507mm)
 - 24x20x10 D=15.00 (406mm)
 - 24x24x10 D=15.00 (406mm)
 - 30x24x10 D=19.98 (507mm)



Part No.	Box Size			Usable Depth	Panel Boss Centers		Panel Sizes			Foot Mount Centers		Cover Size			
	A	B	C		F	S	Z	Ht.	Wid.	P/N	H	L	K	M	U
AM24208RL	24.00	20.00	8.13	8.67	19.25	15.25	21.00	17.00	P2420 PA2420	18.75	26.85	20.16	24.16	25.59	21.59
	610mm	508mm	207mm	220mm	489mm	387mm	533mm	432mm		476mm	682mm	512mm	614mm	650mm	548mm
AM24248RL	24.00	24.00	8.13	8.65	19.25	19.25	21.00	21.00	P2424 PA2424	22.75	26.85	24.16	24.16	25.59	25.59
	610mm	610mm	207mm	220mm	489mm	489mm	533mm	533mm		578mm	682mm	614mm	614mm	650mm	650mm
AM30248RL	30.00	24.00	8.13	8.65	25.25	19.25	27.00	21.00	P3024 PA3024	22.75	32.85	24.16	30.16	31.59	25.59
	762mm	610mm	207mm	220mm	641mm	489mm	686mm	533mm		578mm	834mm	614mm	766mm	802mm	650mm
AM24200RL	24.00	20.00	10.13	10.65	19.25	15.25	21.00	17.00	P2420 PA2420	18.75	26.85	20.16	24.16	25.59	21.59
	610mm	508mm	257mm	271mm	489mm	387mm	533mm	432mm		476mm	682mm	512mm	614mm	650mm	548mm
AM24240RL	24.00	24.00	10.13	10.65	19.25	19.25	21.00	21.00	P2424 PA2424	22.75	26.85	24.16	24.16	25.59	25.59
	610mm	610mm	257mm	271mm	489mm	489mm	533mm	533mm		578mm	682mm	614mm	614mm	650mm	650mm
AM30240RL	30.00	24.00	10.13	10.65	25.25	19.25	27.00	21.00	P3024 PA3024	22.75	32.85	24.16	30.16	31.59	25.59
	762mm	610mm	257mm	271mm	641mm	489mm	686mm	533mm		578mm	834mm	614mm	766mm	802mm	650mm

All dimensions are in inches unless otherwise noted

Data subject to change without notice

Enclosure base part numbers come standard with 4 separately bagged feet (ex. AM24208RL)

Additional back panels found on page 128

