

JIC Size Junction Boxes: Twist Latch Hinged Cover

• Window



PRODUCT INFORMATION

Application

- Designed to insulate and protect controls and components in both indoor and outdoor applications often found in oil refineries, waste water treatment equipment, chemical plants, and many other applications
- Especially well suited for high temperature or corrosive environments
- Protects from dirt, dust, oil, and water
- For use with industrial control equipment
- Window unit provides viewing area for instrumentation or equipment

Standards

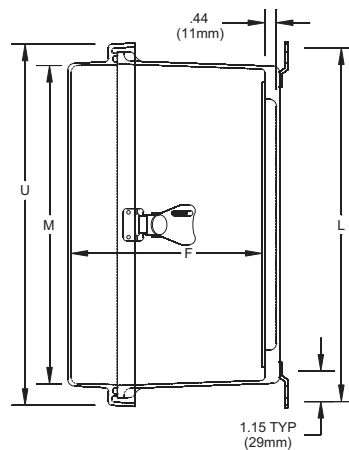
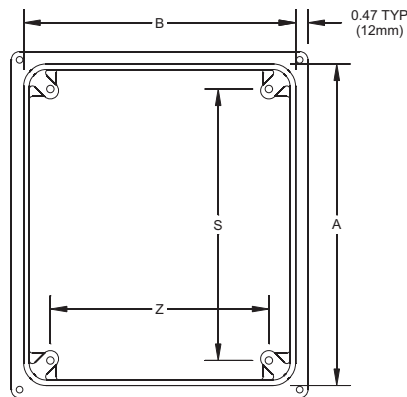
- UL 50 and UL 50E Types 1, 2, 3, 3R, 4, 4X, 12 and 13
- CSA C22.2 No. 94 Types 1, 2, 3, 3R, 4, 4X, 12 and 13
- Complies with:
 - NEMA Types 1, 2, 3, 3R, 4, 4X, 12 and 13
 - IEC 60529 Type IP66
 - RoHS directive

Construction

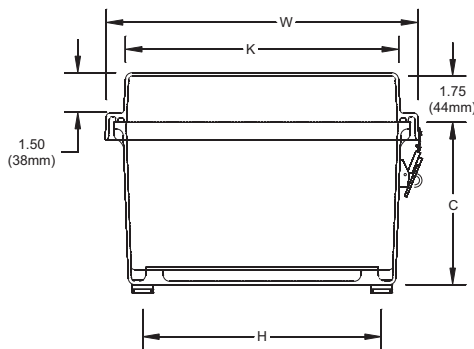
- Strong, molded ULTRAGUARD® fiberglass reinforced polyester material construction with matching raised cover
- 316 stainless steel twist latches feature padlock hasp
- Continuous 316 stainless steel hinge
- Formed-In-Place (FIP) polyurethane gasket system encased in continuous channel
- 316 stainless steel wall mounting feet with 10-32 stainless steel screws included
- UV resistant polycarbonate viewing window
- #10-32 threaded brass inserts for optional back panel installation
- JIC sizes
- ULTRAGUARD® fiberglass material is easily punched, drilled, or sawed
- UV stabilized for outdoor use

Accessories & Modifications

- Optional back panels and hinged front panels
- Custom holes and cutouts
- Hinge installed on short side
- Molded-in color matching
- EMI/RFI shielding
- Factory-supplied silk screening



Note: Cover removed for clarity



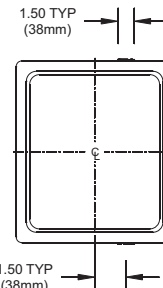
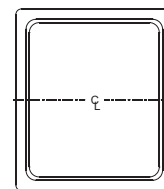
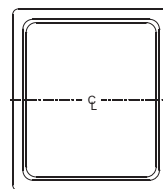
Nominal 1/8" (3mm) wall thickness

LATCH LOCATIONS

For use on
6x6x4
8x6x4
10x8x4,6

For use on
12x10x6 D=8.00 (203mm)
12x12x4,6 D=8.00 (203mm)
14x12x6 D=8.54 (217mm)
16x14x8 D=8.54 (217mm)

For use on
18x16x8 D=6.50 (165mm)
20x16x8 D=10.52 (267mm)



Part No.	Box Size			Usable Depth	Panel Boss Centers		Panel Sizes		Foot Mount Centers		Cover Size				Window Dimension (Height x Width)	
	A	B	C		F	S	Z	Ht.	Wid.	P/N	H	L	K	M		U
AM664RTW	6.10	6.10	4.18	5.18	4.25	4.25	4.81	4.81	PL66 PLA66	5.01	7.32	6.08	6.08	7.69	7.69	4.25 x 4.25
	155mm	155mm	106mm	131mm	108mm	108mm	122mm	122mm		127mm	186mm	154mm	154mm	195mm	195mm	108mm x 108mm
AM864RTW	8.00	6.13	4.14	5.10	6.25	4.25	6.75	4.88	PL86 PLA86	5.02	9.20	6.11	7.98	9.59	7.71	6.25 x 4.25
	203mm	156mm	105mm	130mm	159mm	108mm	171mm	124mm		127mm	234mm	155mm	203mm	244mm	196mm	159mm x 108mm
AM1084RTW	10.14	8.26	4.13	5.10	8.25	6.25	8.75	6.88	PL108 PLA108	7.01	11.19	8.44	10.32	11.73	9.90	8.38 x 6.50
	258mm	210mm	105mm	130mm	210mm	159mm	222mm	175mm		178mm	284mm	214mm	262mm	299mm	251mm	213mm x 165mm
AM1086RTW	10.14	8.26	6.13	7.12	8.25	6.25	8.75	6.88	PL108 PLA108	7.01	11.19	8.44	10.32	11.73	9.85	8.38 x 6.50
	258mm	210mm	156mm	181mm	210mm	159mm	222mm	175mm		178mm	284mm	214mm	262mm	298mm	250mm	213mm x 165mm
AM1206RTW	12.14	10.26	6.13	7.10	10.25	8.25	10.75	8.88	PL120 PLA120	9.01	13.19	10.45	12.32	13.73	11.85	10.38 x 8.50
	308mm	261mm	156mm	180mm	260mm	210mm	273mm	225mm		229mm	335mm	265mm	313mm	349mm	301mm	264mm x 216mm
★ AM1224RTW	12.14	12.14	4.13	5.15	10.25	10.25	10.75	10.75	PL122 PLA122	11.01	13.32	12.19	12.19	13.72	13.72	10.38 x 10.38
	308mm	308mm	105mm	131mm	260mm	260mm	273mm	273mm		280mm	338mm	310mm	310mm	348mm	348mm	264mm x 264mm
★ AM1226RTW	12.14	12.14	6.13	7.15	10.25	10.25	10.75	10.75	PL122 PLA122	11.01	13.32	12.19	12.19	13.72	13.72	10.38 x 10.38
	308mm	308mm	156mm	182mm	260mm	260mm	273mm	273mm		280mm	338mm	310mm	310mm	348mm	348mm	264mm x 264mm
AM1426RTW	14.14	12.26	6.13	7.10	12.25	10.25	12.75	10.88	PL142 PLA142	11.03	15.19	12.45	14.32	15.73	13.85	12.38 x 10.50
	359mm	312mm	156mm	180mm	311mm	260mm	324mm	276mm		280mm	386mm	316mm	364mm	399mm	352mm	314mm x 267mm
AM1648RTW	16.27	14.40	8.13	9.10	14.25	12.25	14.75	12.88	P164 PA164	13.01	17.19	13.86	15.73	17.87	15.99	13.00 x 11.00
	413mm	366mm	207mm	231mm	362mm	311mm	375mm	327mm		330mm	437mm	352mm	400mm	454mm	406mm	330mm x 279mm
AM1868RTW	18.40	16.40	8.13	9.11	16.25	14.25	16.88	14.88	P186 PA186	14.97	19.28	15.86	17.86	20.00	18.00	14.00 x 12.00
	467mm	417mm	207mm	231mm	413mm	362mm	429mm	378mm		380mm	490mm	403mm	454mm	508mm	457mm	356mm x 305mm
AM2068RTW	20.00	16.00	8.13	9.10	17.81	13.81	18.44	14.44	P206 PA206	14.54	20.84	15.43	19.43	21.59	17.59	15.00 x 11.00
	508mm	406mm	207mm	231mm	452mm	351mm	468mm	367mm		369mm	529mm	392mm	494mm	548mm	447mm	381mm x 279mm

All dimensions are in inches unless otherwise noted

Data subject to change without notice

Enclosure base part numbers come standard with 4 separately bagged feet (ex. AM664RTW)

Additional back panels found on page 128

★Coming Q4 - 2016

