

JIC Size Junction Boxes: Twist Latch Hinged Cover

- **Solid/Opaque**



PRODUCT INFORMATION

Application

- Designed to insulate and protect controls and components in both indoor and outdoor applications often found in oil refineries, waste water treatment equipment, chemical plants, and many other applications
- Especially well suited for high temperature or corrosive environments
- Protects from dirt, dust, oil, and water
- For use with industrial control equipment

Standards

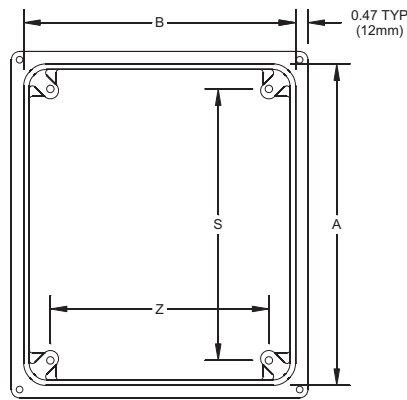
- UL 50 and UL 50E Types 1, 2, 3, 3R, 4, 4X, 12 and 13
- CSA C22.2 No. 94 Types 1, 2, 3, 3R, 4, 4X, 12 and 13
- Complies with:
 - NEMA Types 1, 2, 3, 3R, 4, 4X, 12 and 13
 - IEC 60529 Type IP66
 - RoHS directive

Construction

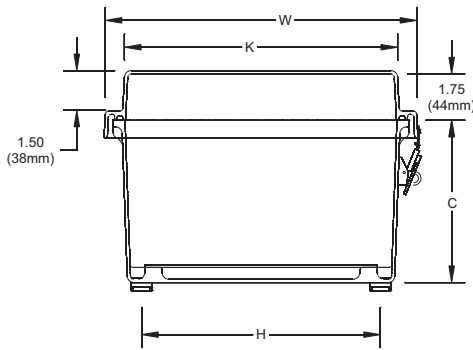
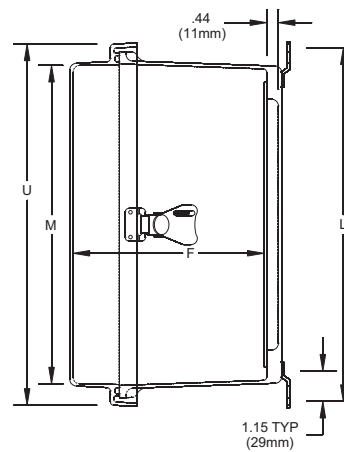
- Strong, molded ULTRAGUARD® fiberglass reinforced polyester material construction with matching raised cover
- 316 stainless steel twist latches feature padlock hasp
- Continuous 316 stainless steel hinge
- Formed-In-Place (FIP) polyurethane gasket system encased in continuous channel
- 316 stainless steel wall mounting feet with 10-32 stainless steel screws included
- #10-32 threaded brass inserts for optional back panel installation
- JIC sizes
- ULTRAGUARD® fiberglass material is easily punched, drilled, or sawed
- UV stabilized for outdoor use

Accessories & Modifications

- Optional back panels and hinged front panels
- Custom holes and cutouts
- Custom size polycarbonate viewing windows
- Hinge installed on short side
- Molded-in color matching
- EMI/RFI shielding
- Factory-supplied silk screening

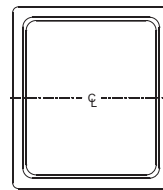


Note: Cover removed for clarity



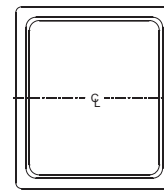
Nominal 1/8" (3mm) wall thickness

For use on
6x6x4
8x6x4
10x8x4,6



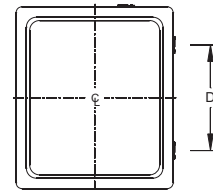
LATCH LOCATIONS

For use on
12x10x6 D=8.00 (203mm)
12x12x4,6 D=8.00 (203mm)
14x12x6 D=8.54 (217mm)
16x14x8 D=8.54 (217mm)



For use on
18x16x8 D=6.50 (165mm)
20x16x8 D=10.52 (267mm)

1.50 TYP (38mm)



Part No.	Box Size			Usable Depth F	Panel Boss Centers		Panel Sizes			Foot Mount Centers		Cover Size			
	A	B	C		S	Z	Ht.	Wid.	P/N	H	L	K	M	U	W
AM664RT	6.10	6.10	4.18	5.29	4.25	4.25	4.81	4.81	PL66 PLA66	5.01	7.32	6.08	6.08	7.69	7.69
	155mm	155mm	106mm	134mm	108mm	108mm	122mm	122mm		127mm	186mm	154mm	154mm	195mm	195mm
AM864RT	8.00	6.13	4.14	5.21	6.25	4.25	6.75	4.88	PL86 PLA86	5.02	9.20	6.11	7.98	9.59	7.71
	203mm	156mm	105mm	132mm	159mm	108mm	171mm	124mm		127mm	234mm	155mm	203mm	244mm	196mm
AM1084RT	10.14	8.26	4.13	5.21	8.25	6.25	8.75	6.88	PL108 PLA108	7.01	11.19	8.44	10.32	11.73	9.90
	258mm	210mm	105mm	132mm	210mm	159mm	222mm	175mm		178mm	284mm	214mm	262mm	299mm	251mm
AM1086RT	10.14	8.26	6.13	7.21	8.25	6.25	8.75	6.88	PL108 PLA108	7.01	11.19	8.44	10.32	11.73	9.85
	258mm	210mm	156mm	183mm	210mm	159mm	222mm	175mm		178mm	284mm	214mm	262mm	298mm	250mm
AM1206RT	12.14	10.26	6.13	7.21	10.25	8.25	10.75	8.88	PL120 PLA120	9.01	13.19	10.45	12.32	13.73	11.85
	308mm	261mm	156mm	183mm	260mm	210mm	273mm	225mm		229mm	335mm	265mm	313mm	349mm	301mm
★ AM1224RT	12.14	12.14	4.13	5.26	10.25	10.25	10.75	10.75	PL122 PLA122	11.01	13.32	12.19	12.19	13.72	13.72
	308mm	308mm	105mm	134mm	260mm	260mm	273mm	273mm		280mm	338mm	310mm	310mm	348mm	348mm
★ AM1226RT	12.14	12.14	6.13	7.26	10.25	10.25	10.75	10.75	PL122 PLA122	11.01	13.32	12.19	12.19	13.72	13.72
	308mm	308mm	156mm	184mm	260mm	260mm	273mm	273mm		280mm	338mm	310mm	310mm	348mm	348mm
AM1426RT	14.14	12.26	6.13	7.21	12.25	10.25	12.75	10.88	PL142 PLA142	11.03	15.19	12.45	14.32	15.73	13.85
	359mm	312mm	156mm	183mm	311mm	260mm	324mm	276mm		280mm	386mm	316mm	364mm	399mm	352mm
AM1648RT	16.27	14.40	8.13	9.21	14.25	12.25	14.75	12.88	P164 PA164	13.01	17.19	13.86	15.73	17.87	15.99
	413mm	366mm	207mm	234mm	362mm	311mm	375mm	327mm		330mm	437mm	352mm	400mm	454mm	406mm
AM1868RT	18.40	16.40	8.13	9.22	16.25	14.25	16.88	14.88	P186 PA186	14.97	19.28	15.86	17.86	20.00	18.00
	467mm	417mm	207mm	234mm	413mm	362mm	429mm	378mm		380mm	490mm	403mm	454mm	508mm	457mm
AM2068RT	20.00	16.00	8.13	9.21	17.81	13.81	18.44	14.44	P206 PA206	14.54	20.84	15.43	19.43	21.59	17.59
	508mm	406mm	207mm	234mm	452mm	351mm	468mm	367mm		369mm	529mm	392mm	494mm	548mm	447mm

All dimensions are in inches unless otherwise noted

Data subject to change without notice

Enclosure base part numbers come standard with 4 separately bagged feet (ex. AM664RT)

Additional back panels found on page 128

★Coming Q4 - 2016

