

## JIC Size Junction Boxes: Hinged Screw Cover

- **Solid/Opaque**



### PRODUCT INFORMATION

#### Application

- Designed to insulate and protect controls and components in both indoor and outdoor applications often found in oil refineries, waste water treatment equipment, chemical plants, and many other applications
- Especially well suited for high temperature or corrosive environments
- Protects from dirt, dust, oil, and water
- For use with industrial control equipment

#### Standards

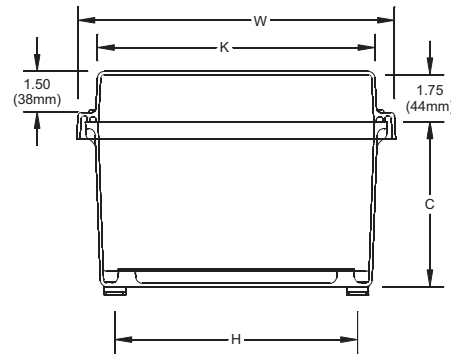
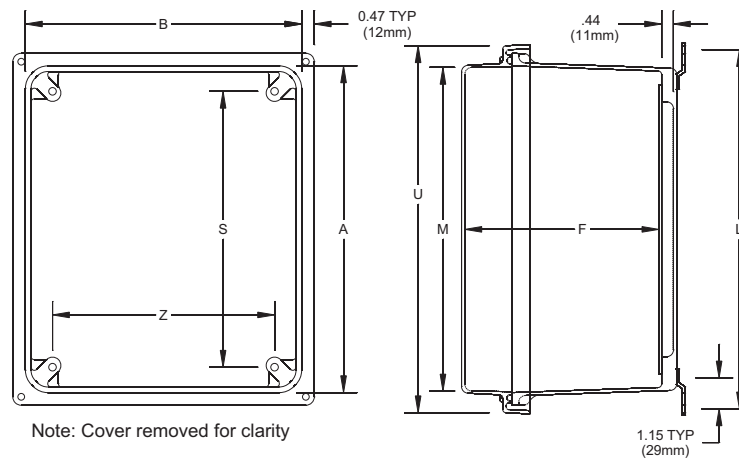
- UL 50 and UL 50E Types 1, 2, 3, 3R, 4, 4X, 12 and 13
- CSA C22.2 No. 94 Types 1, 2, 3, 3R, 4, 4X, 12 and 13
- Complies with:
  - NEMA Types 1, 2, 3, 3R, 4, 4X, 12 and 13
  - IEC 60529 Type IP66
  - RoHS directive

#### Construction

- Strong, molded ULTRAGUARD® fiberglass reinforced polyester material construction with matching raised cover
- 316 stainless steel captive cover screws
- Continuous 316 stainless steel hinge
- Formed-In-Place (FIP) polyurethane gasket system encased in continuous channel
- 316 stainless steel wall mounting feet with 10-32 stainless steel screws included
- #10-32 threaded brass inserts for optional back panel installation
- JIC sizes
- ULTRAGUARD® fiberglass material is easily punched, drilled, or sawed
- UV stabilized for outdoor use

#### Accessories & Modifications

- Optional back panels and hinged front panels
- Custom holes and cutouts
- Custom size polycarbonate viewing windows
- Hinge installed on short side
- Molded-in color matching
- EMI/RFI shielding
- Factory-supplied silk screening



Nominal 1/8" (3mm) wall thickness

Part No.	Box Size			Usable Depth	Panel Boss Centers			Panel Sizes			Foot Mount Centers		Cover Size			
	A	B	C		F	S	Z	Ht.	Wid.	P/N	H	L	K	M	U	W
AM664RH	6.10	6.10	4.18	5.29	4.25	4.25	4.81	4.81	PL66 PLA66	5.01	7.32	6.08	6.08	7.69	7.69	
	155mm	155mm	106mm	134mm	108mm	108mm	122mm	122mm		127mm	186mm	154mm	154mm	195mm	195mm	
AM864RH	8.00	6.13	4.14	5.21	6.25	4.25	6.75	4.88	PL86 PLA86	5.02	9.20	6.11	7.98	9.59	7.71	
	203mm	156mm	105mm	132mm	159mm	108mm	171mm	124mm		127mm	234mm	155mm	203mm	244mm	196mm	
AM1084RH	10.14	8.26	4.13	5.21	8.25	6.25	8.75	6.88	PL108 PLA108	7.01	11.19	8.44	10.32	11.73	9.90	
	258mm	210mm	105mm	132mm	210mm	159mm	222mm	175mm		178mm	284mm	214mm	262mm	299mm	251mm	
AM1086RH	10.14	8.26	6.13	7.21	8.25	6.25	8.75	6.88	PL108 PLA108	7.01	11.19	8.44	10.32	11.73	9.85	
	258mm	210mm	156mm	183mm	210mm	159mm	222mm	175mm		178mm	284mm	214mm	262mm	298mm	250mm	
AM1206RH	12.14	10.26	6.13	7.21	10.25	8.25	10.75	8.88	PL120 PLA120	9.01	13.19	10.45	12.32	13.73	11.85	
	308mm	261mm	156mm	183mm	260mm	210mm	273mm	225mm		229mm	335mm	265mm	313mm	349mm	301mm	
★ AM1224RH	12.14	12.14	4.13	5.26	10.25	10.25	10.75	10.75	PL122 PLA122	11.01	13.32	12.19	12.19	13.72	13.72	
	308mm	308mm	105mm	134mm	260mm	260mm	273mm	273mm		280mm	338mm	310mm	310mm	348mm	348mm	
★ AM1226RH	12.14	12.14	6.13	7.26	10.25	10.25	10.75	10.75	PL122 PLA122	11.01	13.32	12.19	12.19	13.72	13.72	
	308mm	308mm	156mm	184mm	260mm	260mm	273mm	273mm		280mm	338mm	310mm	310mm	348mm	348mm	
AM1426RH	14.14	12.26	6.13	7.21	12.25	10.25	12.75	10.88	PL142 PLA142	11.03	15.19	12.45	14.32	15.73	13.85	
	359mm	312mm	156mm	183mm	311mm	260mm	324mm	276mm		280mm	386mm	316mm	364mm	399mm	352mm	
AM1648RH	16.27	14.40	8.13	9.21	14.25	12.25	14.75	12.88	P164 PA164	13.01	17.19	13.86	15.73	17.87	15.99	
	413mm	366mm	207mm	234mm	362mm	311mm	375mm	327mm		330mm	437mm	352mm	400mm	454mm	406mm	
AM1868RH	18.40	16.40	8.13	9.22	16.25	14.25	16.88	14.88	P186 PA186	14.97	19.28	15.86	17.86	20.00	18.00	
	467mm	417mm	207mm	234mm	413mm	362mm	429mm	378mm		380mm	490mm	403mm	454mm	508mm	457mm	
AM2068RH	20.00	16.00	8.13	9.21	17.81	13.81	18.44	14.44	P206 PA206	14.54	20.84	15.43	19.43	21.59	17.59	
	508mm	406mm	207mm	234mm	452mm	351mm	468mm	367mm		369mm	529mm	392mm	494mm	548mm	447mm	

All dimensions are in inches unless otherwise noted

Data subject to change without notice

Enclosure base part numbers come standard with 4 separately bagged feet (ex. AM664RH)

Additional back panels found on page 128

★Coming Q4 - 2016

